

# SHUTTLE® COFFEE BREWERS

Project                      Date                      Models **P200E, P300E, P400E**                      Item#                      Quantity



model P300E



model P400E

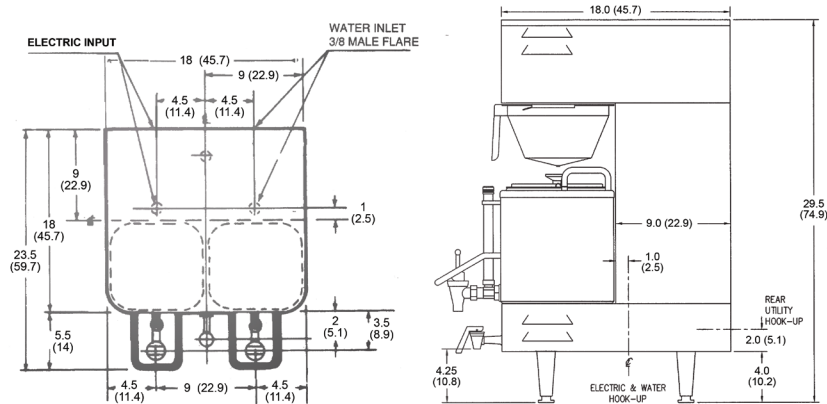
## Features

- Brews into 1.5 gallon (5.7 L) radiant heat, air-insulated CS-1 Shuttles®.
- Make transporting easy and keep coffee fresh and hot.
- Simple-to-operate brewing control panel offers different brewing capabilities and includes a hot water faucet.
- Insulated handles ensure Shuttles® are safe and easy to carry.
- Shuttle® lid locks in place while transporting.
- Designed for fast access to components and ease of service.
- Compact size takes up less counter space.
- Ready-to-brew light.

# Models & Dimensions



## Shuttle® Coffee Brewers



TOP VIEW

SIDE VIEW

model P400E represented  
measurements in inches [cm]

## Specifications

Model	Description	Brew Capacity (Each Shuttle)	Electrical*	Product Dimensions (H x W x D)	Ship Dimensions (H x W x D)	Ship Weight
<b>P200E</b> (AP-200E)	Single Shuttle brewer plastic brew basket, plastic legs <b>UL, CUL, CE, and NSF Certifications</b>	1.5 gal. (5.7 L) 400 cups per hour	120V / 1750W 14.6A / 1 Ph	28" x 17" x 9" (71 cm x 43 cm x 23 cm)	28" x 26" x 13" (71 cm x 66 cm x 33 cm)	55 lbs. (24.9 kg)
<b>P300E</b> (AP-300E)	Single Shuttle brewer stainless brew basket, stainless legs <b>UL, CUL, CE, and NSF Certifications</b>	1.5 gal. (5.7 L) 400 cups per hour	120/208V / 5000W 24A / 1 Ph  120/240V / 6600W 28A / 1 Ph	28" x 9" x 23.5" (71 cm x 23 cm x 60 cm)	29.5" x 11" x 26" (75 cm x 28 cm x 66 cm)	55 lbs. (24.9 kg)
<b>P300</b> (AP-300E230VG)	Single Shuttle brewer stainless brew basket, stainless legs <b>CE and RoHS Certifications</b>	1.5 gal. (5.7 L) 400 cups per hour	230V / 6000W 26.4A / 1 Ph	28" x 9" x 23.5" (71 cm x 23 cm x 60 cm)	29.5" x 11" x 26" (75 cm x 28 cm x 66 cm)	55 lbs. (24.9 kg)
<b>P400E</b> (AP-400E)	Dual Shuttle brewer stainless brew basket, stainless legs <b>UL, CUL, CE, and NSF Certifications</b>	1.5 gal. (5.7 L) 600 cups per hour	120/208V / 5000W 24A / 1 Ph  120/240V / 6600W 28A / 1 Ph	28" x 18" x 21" (71 cm x 46 cm x 53 cm)	29.5" x 22" x 26" (75 cm x 56 cm x 66 cm)	100 lbs. (45.4 kg)
<b>P400</b> (AP-400E230VG)	Dual Shuttle brewer stainless brew basket, stainless legs <b>CE and RoHS Certifications</b>	1.5 gal. (5.7 L) 600 cups per hour	230V / 6000W 26.4A / 1 Ph	28" x 18" x 21" (71 cm x 46 cm x 53 cm)	29.5" x 22" x 26" (75 cm x 56 cm x 66 cm)	100 lbs. (45.4 kg)

**\*Electrical:** Line cord and Nema 5-15P plug included with P200 models. P300 and P400 line cord not included, must be hard wired. Optional higher wattage available.

**Plumbing:** 0.25" (6.35 mm) flare water line at 30-80 psi required.



GMCW™ 4003 Collins Lane, Louisville, KY 40245 USA

Tel: +1.502.425.4776 / 800.695.4500 (USA & Canada only) • Fax: +1.502.425.4664 • www.gmcw.com • Email: info@gmcw.com