



Undercounter ice maker - Granular system

Hotel	██████████
Restaurant	██████████
Fast food	██████████
Bar	██████████
Disco	██████████
Fish market	██████████
Supermarket	██████████
Medical & SPA	██████████
Industry	██████████

► Features & Plus

- Granular ice - 80-82% dry
- 1l (water) - 1kg (ice)
- AISI 304 SS Scotch Brite finish
- Tropical class +43°C
- Adjustable Stainless Steel feet
- AISI 304 SS evaporator
- Air cooling system
- Easy cleanable internal rounded surfaces
- HCFC-Free insulated storage
- Dust-proof water basin
- RoHS Free
- Disappearing insulated door
- Electromechanical operation
- ON-OFF rocker switch
- Automatic water charge



AISI 304 SS Scotch Brite finish



AISI 304 SS evaporator



Dust-proof water basin



Disappearing insulated door

Warranty

3 years parts & labor, 5 years on the compressor subject to limitations

► Prod. 24h

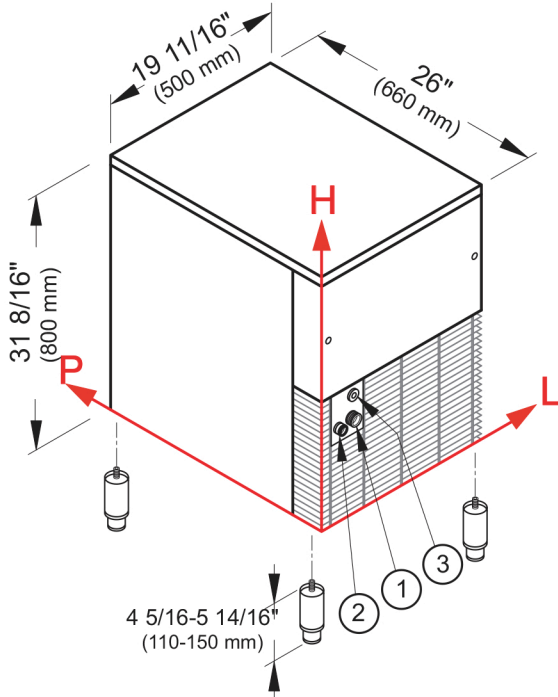
	Air temp.	Water temp.	lbs
	50° F	50° F	270
	70° F	60° F	250
	90° F	70° F	200

► Certifications available for this model





Undercounter ice maker - Granular system



► Working conditions

- Location: **Indoor**

	Min	Max
Ambient temperature	+50° F	+110° F
Water temperature	+37° F	+90° F
Voltage	-10%	+10%
Water inlet pressure	1bar (14 psi)	6bar (84 psi)

► Connections

All measures are referred to the rear bottom-left corner (L-H-Ø)

- ① Water in.: 3 14/16 " - 6 4/16 " - 3/4 "
- ② Water out.: 1 14/16 " - 5 15/16 " - 15/16 "
- ③ Electrical connections: 3 7/16 " - 9 1/16 "

► Technical information

Production in 24h *	200 lbs
Store capacity, up to	66 lbs
Cooling system	A
Refrigerant	R404A
Standard voltage	115 V ~ 60Hz
Electrical consumption ***	550 W
Fuse	15 A

Water consumption **	12 gal/100 lbs
Sizes (L-P-H in)	19 11/16 - 26 - 31 8/16
Sizes with pack (L-P-H in)	21 10/16 - 28 6/16 - 39
Net weight	148 lbs
Gross weight	168 lbs
Finish	AISI 304 stainless steel, scotch brite

All the technical information must be considered at the following conditions:

Sizes without feet

* Production at Ambient temperature **+90° F** / Water temperature **+70° F**

** Water consumption at Ambient temperature **+70° F** / Water temperature **+60° F**

*** Electrical consumption at ambient temperature **+109° F**

Models and specifications are subject to change without notice