

Clean Up

Economy Sinks

FEATURES

See page 91 for sink features

- Heavy duty 18 gauge Type 430 Stainless Steel for lasting durability
- Galvanized leg and socket; plastic bullet feet with 3.5" drain basket included.
- Welded areas are blended to a satin finish to match adjacent surfaces



SI818-1NC-E NSF Intertek



SI818-3NC-E NSF Intertek



SI824-2NC-E NSF Intertek

Economy Sinks

Product #	Style	Sink Bowl Dimensions	Weight (lbs)	Assembled Dimensions			Shipping Dimensions		
				W"	D"	H"	W"	D"	H"
SI818-1NC-E	☒	18" x 18" x 13"	40	21	21.5	41	21	21.5	27
SI818-2NC-E	☒☒	18" x 18" x 13"	55	39	21.5	41	39	21.5	27
SI818-3NC-E	☒☒☒	18" x 18" x 13"	95	57	21.5	41	57	21.5	27
SI824-1NC-E	☒	24" x 24" x 13"	66	27	27.5	41	27	27.5	27
SI824-2NC-E	☒☒	24" x 24" x 13"	79	51	27.5	41	51	27.5	27
SI824-3NC-E	☒☒☒	24" x 24" x 13"	122	75	27.5	41	75	27.5	27

3.5" Drain Basket Included.

Specifications subject to change without notice.

Toll Free: 1.888.565.9020

efi sales Ltd.

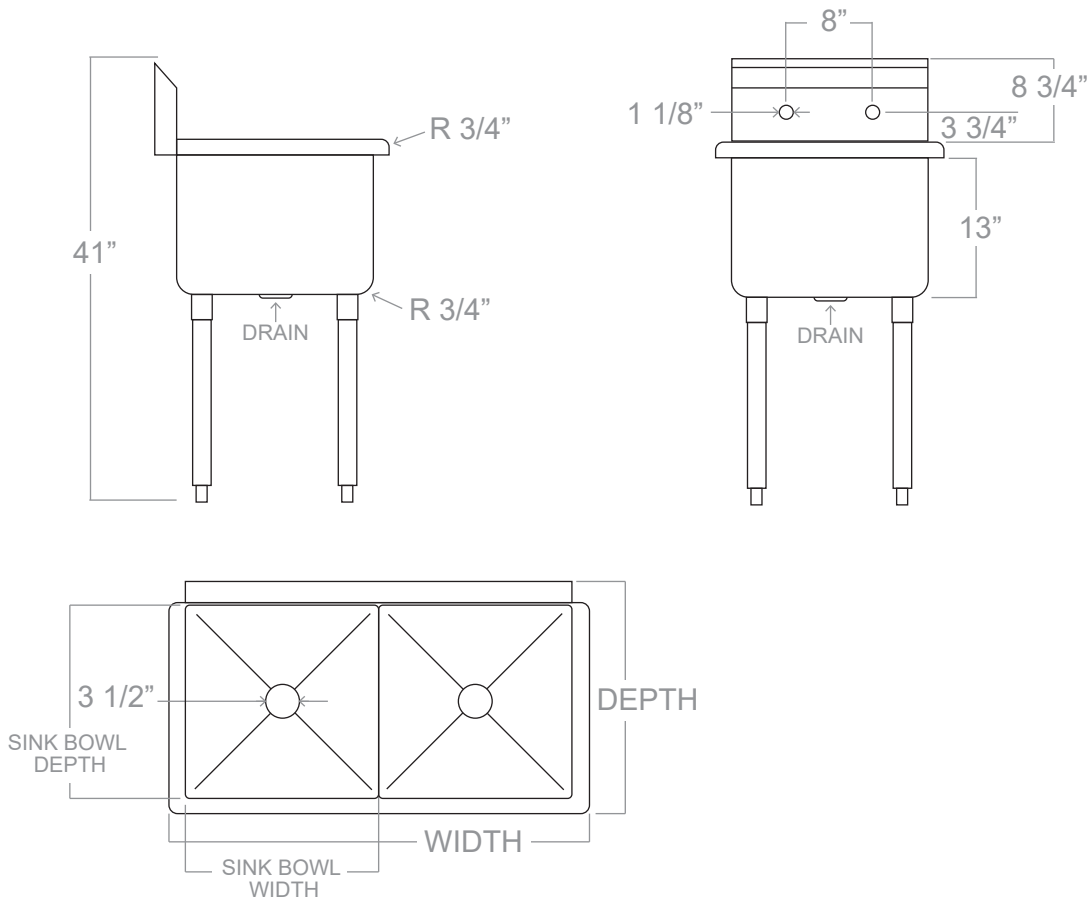
Equipment for the Foodservice Industry
value + quality + service

www.efifoodequip.com

Clean Up

18" Center Drain Sinks

DIMENSIONS



Detachable Drain Boards (Add-On Item)

Product #	Dimensions	OD "	Weight (lbs)	Shipping Dimensions		
				W"	D"	H"
SIA-18DB-E	18" x 18"	1	4.5	24	25	4
SIA-24DB-E	24" x 24"	1	6.6	26	27	4



>> **EFI Product Feature:** All units are shipped unassembled to reduce shipping costs.

Shipping specifications are approximate.

Specifications subject to change without notice.