



Equipment for the Foodservice Industry
value + quality + service

Wok Range

RCTWR-13



RCTWR-13

Features

- Durable Stainless Steel structure that is corrosion resistant and easy to clean
- Simple and robust structure, easy to manipulate and maintain
- Heavy duty jet burner with one adjustable valve
- Burner is equipped with a continuous pilot for instant ignition
- Roll front is easy to load and reduces spill over
- Heavy duty powder coated steel wok attachment is both durable and easy to clean
- Chrome plated 10" legs with adjustable feet
- One year limited warranty parts and labour

*Specifications subject to change without notice

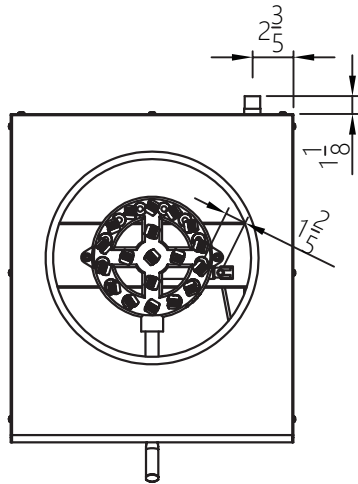
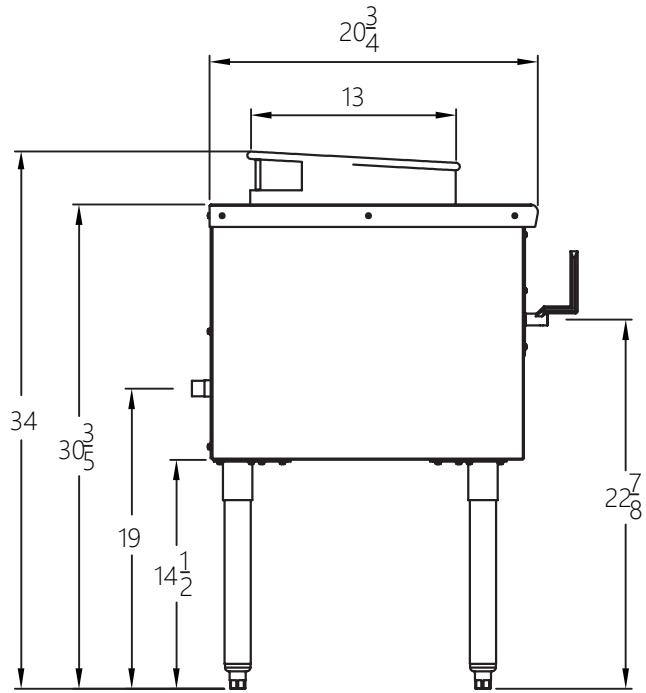
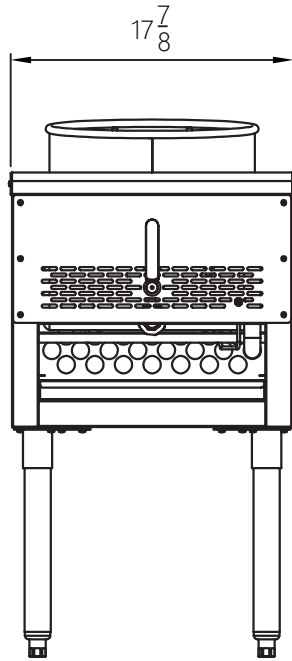


WARRANTY
INFORMATION
One year parts
and labour.



RCTWR-13

Specifications



Model	Burners	Ignition	Gas type	Intake-tube pressure (in.W.C.)	Per BTU B.T.U./h	Total BTU B.T.U./h	Nozzle No.	Net weight (LBS) rock
RCTWR-13-N	1	Manual	NG	5	95,000	95,000	#56	77
RCTWR-13-P			LP	10	95,000	95,000	#67	