

G-COOL™ DOUBLE

Project	Date	Model	Item#	Quantity
---------	------	-------	-------	----------



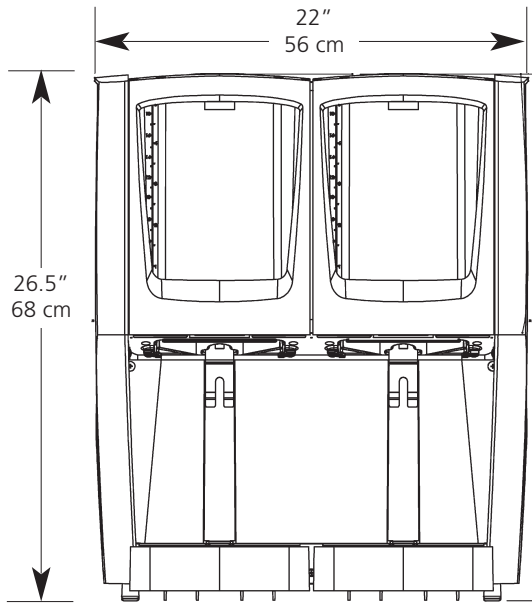
model C-2D-16

Features

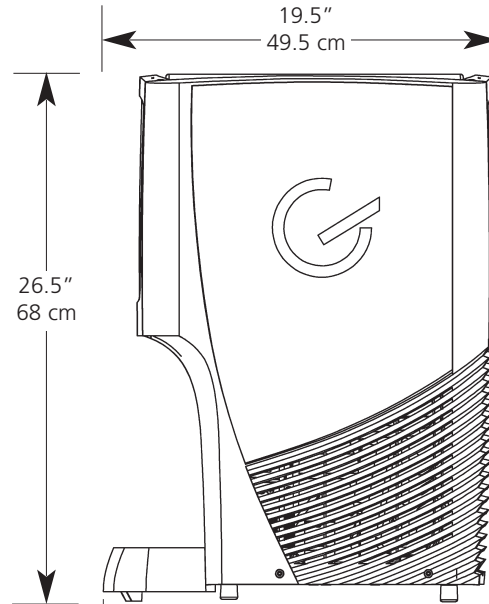
- The most advanced, user-friendly cold premix dispenser available sells more cold beverages.
- Two large, 5 gallon (18 L) bowls with 9.5" (24 cm) cup height.
- 360° merchandising helps you stand out from the competition and attract more customers.
- Faster cleaning - cleans in half the time of a traditional dispenser, saving labor.
- Simple machine care and easy operator interface promote better sanitation.
- Breakthrough technology featuring patented Tri-Cool™ evaporator offers maximum refrigeration using less energy and saving money.
- Low aeration magnetic mixing system keeps product mixed without creating unwanted foam in tea and cappuccino products.
- Modular construction uses interchangeable components throughout the line, promoting machine flexibility while keeping parts inventories low.

Models & Dimensions

G-Cool™ Double



Double Bowl - Front View



Double Bowl - Side View

model C-2D-16 represented
measurements in inches [cm]

Specifications

Model	Description	Electrical	Product Dimensions (H x W X D)	Shipping Dimensions (H x W X D)	Ship Weight
C-2D-16 (99510)	UL, NSF, CUL, RoHS* Certification	120V / 980W / 9 A / 1 Ph	26.5" x 22" x 19.5" (68 cm x 56 cm x 50 cm) including drip tray	30" x 25.5" x 22" (76 cm x 65 cm x 56 cm)	135 lbs (61 kg)

* Must specify RoHS model when required. Additional cost may apply.
Specify Graphic: Iced Coffee (99454), Iced Tea (99455), or Fruit (99456)
Refrigerant: 134A

