



Equipment for the Foodservice Industry

value + quality + service

## 24 inch Range

RCTRS-4B



\*Optional Casters and Oven rack available

### EFI 24 inch Range Features

Stainless steel front, back, sides, kick plate including back guard and high shelf

Heavy duty lift-off cast iron burners rated at 25,000 BTU/hr

12" x 12" cast iron top grates

¾" thick polished steel griddle plate on applicable models

Grease trough on griddle models

Oven size is 26½ x 26 x 14"

Oven burner rated at 27,000 BTU/hr

Oven pilot with 100% safety shut off

Stainless steel oven burners and pilots

Multiple position oven rack guides

One chrome rack per oven. Additional racks available

Manifold Operating Pressure  
5"WC/ 11mbar natural gas  
10"WC/ 25mbar propane

One year limited warranty parts and labor

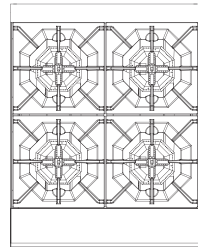
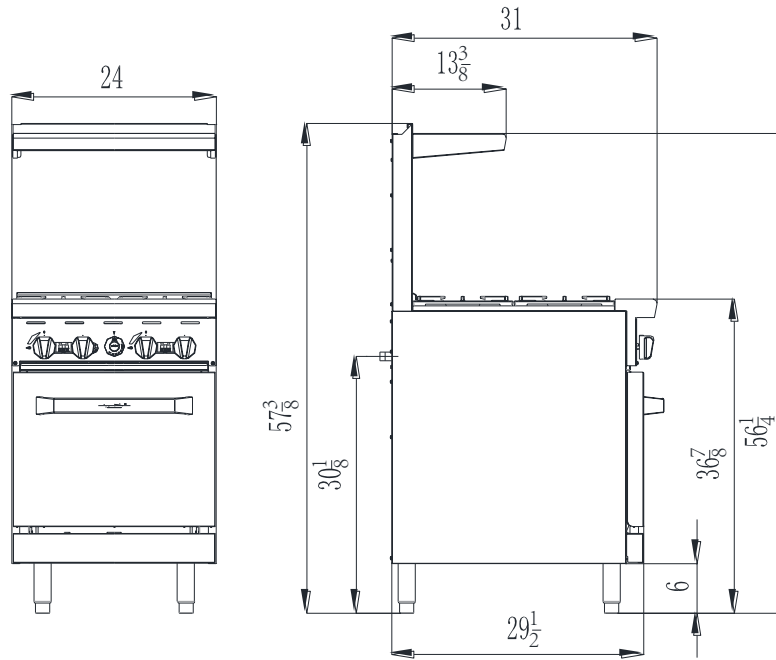
Specifications subject to change without notice



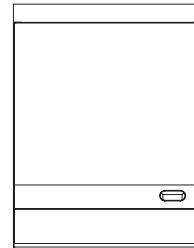
WARRANTY  
INFORMATION  
One year parts  
and labour.



**EFI 24 inch Range Specifications**



RCTRS-4B



RCTRS-24G

Model	Description	Total B.T.U./h	Shipping Weight Lbs/kg
RCTRS-4B-N	4 Burners	124,000	403/183
RCTRS-4B-P		116,000	
RCTRS-24G-N	24" Griddle	72,000	462/210
RCTRS-24G-P		72,000	