

Project: \_\_\_\_\_

Item No: \_\_\_\_\_

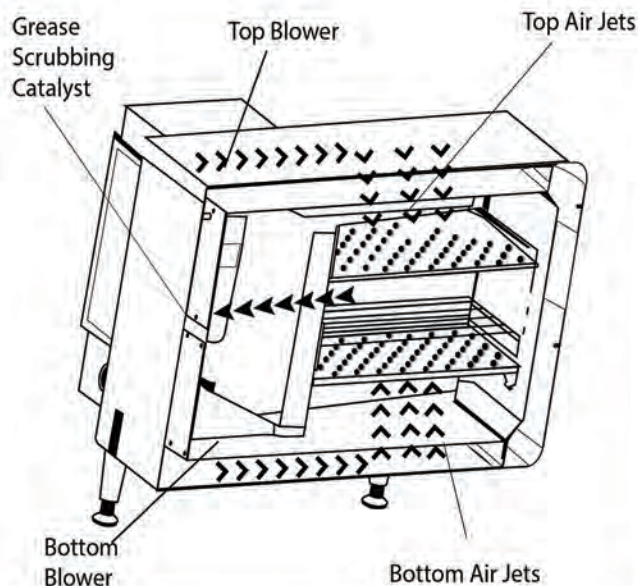
Quantity: \_\_\_\_\_

## The Matchbox 360-14 Oven



### MORE AIR = BETTER QUALITY, FASTER

Patented air flow technology means 3x more air than traditional impingement.



### STANDARD FEATURES

- Independently controlled top and bottom blowers w/ speeds up to 1100 CFM (In<sup>3</sup>/min)
- Cool-to-the-touch exterior
- Reduced energy consumption (documentation available)
- Less impact on HVAC costs (documentation available)
- Precision Impingement™ utilizes hot air for a fast, high-quality cook without microwaves
- FlexTemp™ technology changes cavity temperature by up to +/- 25°F between cook cycles
- Load and unload food automatically
- Warranty - 1 year parts and labor

### OPERATION

- Touch screen display with security passcode and countdown timer
- Holds up to 600 multistage recipes
- USB port – upload and download recipes, view cook logs, diagnostic mode

### PERFORMANCE

- Capacity: fits up to a 14" pizza, (2) 12-inch pizzas, or (5) 7-inch pizzas
- Grill, roast, bake, steam, broil, and fry
- Use any oven-safe pans. Specialty pans available

### CONSTRUCTION

- 301 stainless steel interior
- 430 stainless steel exterior
- Easy to clean design (filters and jet plates are dishwasher safe)
- Decorative shrouds available

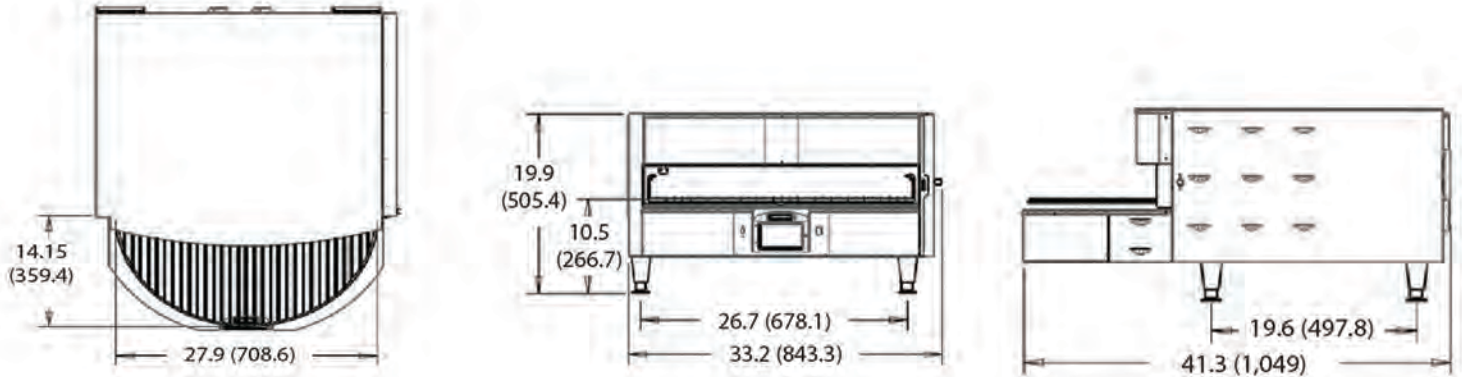
### VENTILATION

- UL listed for operation without a Type 1 hood in accordance with EPA 202 test
- UL listed for multiple stacking configurations
- Performs 2.5 X better than the required UL grease emissions standard

PROUDLY MADE IN THE USA



## The Matchbox 360-14 Oven



DIMENSIONS			ELECTRICAL SPECIFICATIONS		
Height	15.9"	404 mm	Temperature Range	82-525°F	28-274°C
With Legs	19.9"	506 mm	Voltage	208/240 VAC	 NEMA 6-50P
Width	33.2"	843 mm	Watts	8250 W	
Depth	41.3"	1,049 mm	Amperage	32/36 Amp	
Weight	211 lbs.	84 kg	Phase	1 ph	
Minimum Clearance	0" Top	0 mm Top	Frequency	60Hz	
	2" Back	51 mm Back	Cord Length	72"	1829 mm
	0" Side	0 mm Side	<b>SHIPPING SIZE</b>		
OVEN CAVITY DIMENSIONS			Cube (L x W x H)	32" x 40" x 49"	81 mm x 102 mm x 125 mm
Height	3.5"	89 mm	Shipping Weight	275 lbs.	124.7 kg
Width	14.2"	359 mm	Freight Class	125	
Depth	27.9"	709 mm	FOB	Sturgeon Bay, Wisconsin, USA	

\*If units are stacked, 6" (152 mm) back clearance needed

**PROUDLY MADE IN THE USA**