

- KD-0270A
- KY-0270A

# K-0270 Undercounter Ice Kube Machine



- Simple controls, convenient, reliable and long lasting.
- Simple 3-way switch for on/off/clean. No need to remove the front panel.
- Front air intake and discharge.
- Easy to remove, re-usable air filter to keep the condenser cleaner.
- Two ice sizes to choose from: Kube and Half Kube.
- Hideaway bin door slides under the ice machine top.



**HALF KUBE**

$\frac{3}{8}'' \times 1\frac{1}{8}'' \times \frac{7}{8}''$   
(.95 x 2.86 x 2.22 cm)

= 100%



**KUBE**

$\frac{7}{8}'' \times \frac{7}{8}'' \times \frac{7}{8}''$   
(2.22 x 2.22 x 2.22 cm)

= 100%



K-0270  
UNDERCOUNTER ICE KUBE MACHINE

Refrigerant R404A

**KOOLAIRE**<sup>®</sup>

by **Manitowoc**

2110 SOUTH 26TH ST | MANITOWOC, WI 54220 USA | 1-920-682-0161 | [www.kool-aire.com](http://www.kool-aire.com)

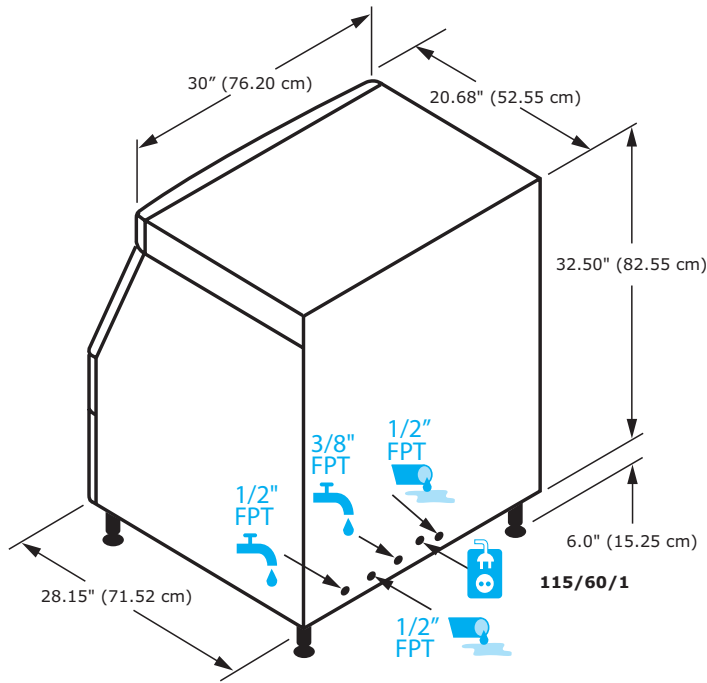


**Manitowoc**

# K-0270 UNDERCOUNTER ICE KUBE MACHINE

			24h			
			21°/10°C 70°/50°F	32°/21°C 90°/70°F	[kWh/ 100 lbs ice]	[gal/ 100 lbs ice]
KD-0270			258 lbs	215 lbs	9.3	34.6
			117 kg	98 kg		
KY-0270			258 lbs	215 lbs	9.3	34.6
			117 kg	98 kg		

Ice Bin storage capacity 100 lbs. (45.4 kg)



Minimum	Maximum
35°F 1.7°C	110°F 43.3°C
35°F 1.7°C	90°F 32.2°C
20psi 138 kPA	80psi 551 kPA
10.7	15 Amps
92 kg 203 lbs	

**KOOLAIRE®**

by **Manitowoc**

2110 SOUTH 26TH ST | MANITOWOC, WI 54220 USA | 1-920-682-0161 [ [www.kool-aire.com](http://www.kool-aire.com) ]