



## Heavy-Duty Commercial Toasters WCT800/850 Series

### Features

- Uniformly toasts regular bread, bagels, Texas toast, frozen waffles, and many other foods
- Full-brushed stainless steel housing
- Heavy-duty standard toasters and combination bread/bagel selector switch toasts only one side of bagel (850 Series only)
- Electronic browning controls and carriage control levers
- Dishwasher-safe crumb tray
- Limited One Year Warranty



**Switchable  
Bread/Bagel  
Toasters**

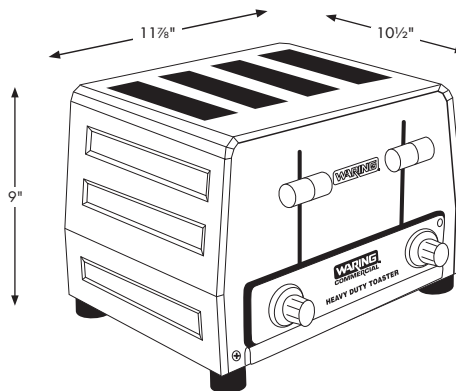


### Specifications

Item	Electrical	Listings	Watts	Amps	Plug	Output (Slices/Hour)	Slot Width
WCT800RC	120 Volt, 50/60 Hz	ETL, NSF	1800	15	NEMA 5-15P (T)	300	(4) 1 1/8"
WCT800RCND	120 Volt, 60 Hz	cETLus, NSF	1440	12	NEMA 5-15P (T)	288	(4) 1 1/8"
WCT800	120 Volt, 50/60 Hz	cETLus, NSF	2200	18.33	NEMA 5-20P (T)	300	(4) 1 1/8"
WCT805B	208 Volt, 50/60 Hz	cETLus, NSF	2700	12.98	NEMA 6-20P (T)	380	(4) 1 1/8"
WCT805	240 Volt, 50/60 Hz	cETLus, NSF	2700	11.25	NEMA 6-15P (T)	380	(4) 1 1/8"
WCT810	120 Volt, 50/60 Hz	cETLus, NSF	2025	16.88	NEMA 5-20P (T)	380	(2) 1 1/8", (2) 1 1/2"
WCT850RC	120 Volt, 50/60 Hz	ETL, NSF	1800	15	NEMA 5-15P (T)	300	(4) 1 1/2"
WCT850RCND	120 Volt, 60 Hz	cETLus, NSF	1440	12	NEMA 5-15P (T)	288	(4) 1 1/2"
WCT850	208 Volt, 50/60 Hz	cETLus, NSF	2800	13.5	NEMA 6-20P (T)	360	(4) 1 1/2"
WCT855	240 Volt, 50/60 Hz	cETLus, NSF	2700	11.5	NEMA 6-20P (T)	380	(4) 1 1/2"

### Ordering Information

Description	Catalog #	Std Pkg.	Ship Wt.	Cubic Feet	UPC Code
Heavy-Duty 120V <b>Standard</b> Toaster	WCT800RC	1	22 lbs.	1.6	040072002915
Heavy-Duty 120V <b>Standard</b> Toaster	WCT800RCND	1	22 lbs.	1.6	040072028533
Heavy-Duty 120V <b>Standard</b> Toaster	WCT800	1	22 lbs.	1.6	040072001451
Heavy-Duty 208V <b>Standard</b> Toaster	WCT805B	1	22 lbs.	1.6	040072003196
Heavy-Duty 240V <b>Standard</b> Toaster	WCT805	1	22 lbs.	1.6	040072001468
Heavy-Duty 120V <b>Combination</b> Toaster	WCT810	1	22 lbs.	1.6	040072001475
Heavy-Duty 120V <b>Switchable Bread/Bagel</b> Toaster	WCT850RC	1	22 lbs.	1.6	040072031243
Heavy-Duty 208V <b>Switchable Bread/Bagel</b> Toaster	WCT850RCND	1	22 lbs.	1.6	040072031236
Heavy-Duty 208V <b>Switchable Bread/Bagel</b> Toaster	WCT850	1	22 lbs.	1.6	040072014314
Heavy-Duty 240V <b>Switchable Bread/Bagel</b> Toaster	WCT855	1	22 lbs.	1.6	040072031229



**\*Dimensions are the same for all models.**  
**(9" H x 11 7/8" W x 10 1/2" D)**

©2015 Waring Commercial  
 Waring Commercial • 314 Ella T. Grasso Ave. • Torrington, CT 06790  
 Tel. (800) 492-7464 • Fax (860) 496-9008  
[www.waringcommercialproducts.com](http://www.waringcommercialproducts.com)

15WC014680

@WaringProducts1

Find us on Facebook