



# VEGETABLE PREPARATION MACHINE CA-311 120/60/1

Commercial vegetable preparation machine with an hourly output of up to 1,000 lbs. / 450 Kg.

Cód. 1050302



## FEATURES AND BENEFITS

- ✓ Stainless steel construction and highest quality material, all suitable for contact with food.
- ✓ New production technology that gives a uniform, high-quality cutting result.
- ✓ The large range of high quality discs and grids allows the operator to obtain over 70 different styles of product.
- ✓ Lateral product ejection, reducing the amount of counter space required, whilst also minimising product splashing.
- ✓ This directs the product avoiding splashing.
- ✓ Electronic, user-friendly control board.
- ✓ Easily removable lever and lid for cleaning purposes.
- ✓ NSF-International certified appliance (complying with Hygiene, Cleaning and Food Material regulations).

## INCLUDES

- ✓ 1 speed motor block.
- ✓ Regular hopper.

## SALES DESCRIPTION

1 speed motor block and a universal attachment.

- ✓ New production technology that gives a uniform, high-quality cutting result.
- ✓ Ergonomic design: product is sliced/cut/shredded in one single movement.
- ✓ Lateral product eject requires less space on the worktop.
- ✓ Easily removable lever and lid for cleaning purpose.
- ✓ NSF listed: guaranteed hygiene and safety.
- ✓ Discs are not included\*.



**sammic** | [www.sammic.us](http://www.sammic.us)  
Food Service Equipment Manufacturer

[usa@sammic.com](mailto:usa@sammic.com)  
1225 Hartrey Avenue  
60202-1056 Evanston, IL

phone +1 (224) 307-2232  
toll free +1 844 275 3848



|          |      |
|----------|------|
| Project  | Date |
| Item     | Qty  |
| Approved |      |



# VEGETABLE PREPARATION MACHINE CA-311 120/60/1

Commercial vegetable preparation machine with an hourly output of up to 1,000 lbs. / 450 Kg.

Cód. 1050302

## SPECIFICATIONS

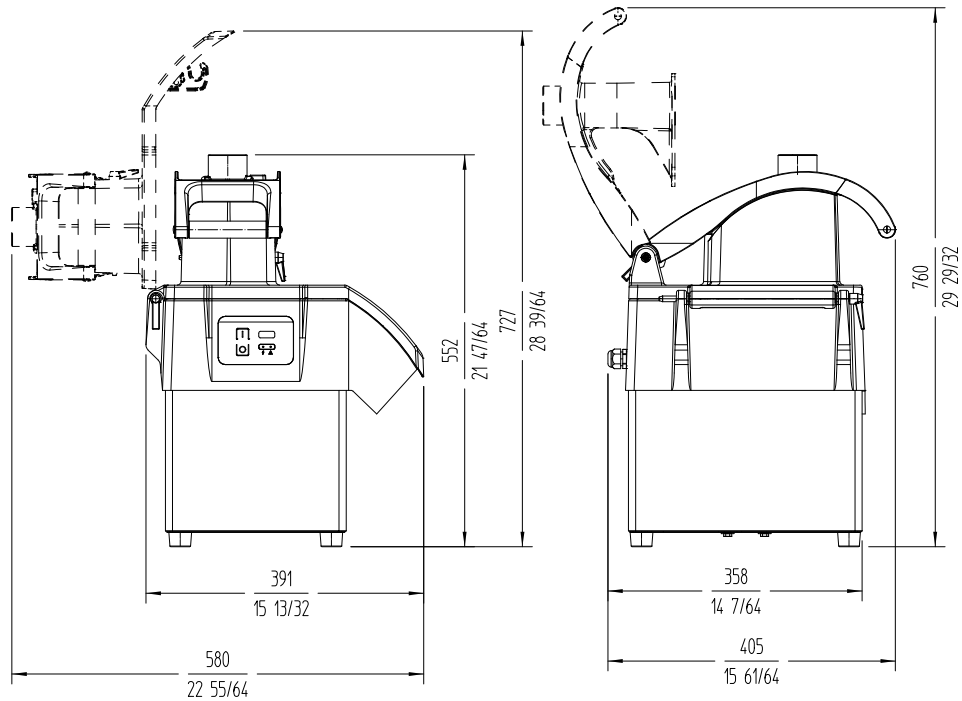
Hourly production: 300 lbs. - 1000 lbs.  
 Inlet opening: 21 in2  
 Disc diameter: 8 "  
 Motor speed: 365 rpm  
 Loading: 1.5 Hp  
 Electrical supply: 120V / 60 Hz / 1~ (4.3A)

### External dimensions (WxDxH)

Width: 15.4 "  
 Depth: 16 "  
 Height: 21.4 "

### Crated dimensions

435 x 430 x 600 mm  
 Gross weight: 28 Kg.



## ACCESSORIES

- FCC Curved Slicing Discs
- FCO Rippled Slicing Discs
- FFC Chipping Grids
- FMC Dicing Grids
- FCE Julienne Discs
- FR Shredding & Grating Discs
- Long vegetable attachment
- Universal hopper
- Disc and Grid Packs
- Disc and Grid Holder Device
- Stand-trolley
- Grid Cleaning Kit
- FC Slicing Disc (2017)

FOOD PREPARATION EQUIPMENT  
COMMERCIAL VEGETABLE PREPARATION MACHINES

**sammic** | www.sammic.us  
 Food Service Equipment Manufacturer

usa@sammic.com phone +1 (224) 307-2232  
 1225 Hartrey Avenue toll free +1 844 275 3848  
 60202-1056 Evanston, IL



|          |      |
|----------|------|
| Project  | Date |
| Item     | Qty  |
| Approved |      |

product sheet updated 19/04/2018