

NAEB071



7 - 12 x 20"

Item



LCD 10" Touch Screen

One Touch

Automatically and with only a single touch, you can access the ideal and most efficient cooking for each dish, due to the exclusive present and widely tested methods, times and system. A wide range of cooking methods is already tested in the field by a highly qualified group of workers.



MULTILEVEL



JUST IN TIME



ECOVAPOR



TURBOVAPOR



ECOSPEED



AUTOCLIMA



GREEN FINE TUNING
(only for gas models)



FAST-DRY

SMOKEGRILL



SMOKING



FLAVOURING

SCS (Solid Clean System) automatic cleaning system



SOLID CLEAN



SOLID CAL
(only for models with boiler)



COOKING MODES

- ICS (Interactive Cooking System), an automatic cooking system for Italian, French, International, Spanish, Russian, Asian and German recipes including their history, ingredients, procedure, automatic cooking program and plate presentation
- Manual cooking with three cooking modes: Convection from 86°F to 572°F, Steam from 86°F to 266°F, Combination Convection + Steam from 86°F to 572°F
- Programmable modes - Possibility to program and save cooking methods in an automatic sequence (up to 15 cycles) giving each program its own name, picture and information on the recipe

OPERATION

- DISPLAY that can be configured based on the needs of the user, bringing forward the programs used most
- Cloud Wi-Fi/Ethernet connection system for saving personal settings, software updates, HACCP data archiving and downloading new recipes
- Automatic "one touch" cooking (ICS)
- Organization of recipes in folders with preview, giving each folder its own name
- Intelligent recognition of recipes in multilevel folders
- 10" colour screen (LCD - TFT) that is high definition and capacitive with "Touch Screen" functions
- SCROLLER PLUS knob with Scroll and Push function for confirming choices
- Automatic door opening using the "Open" button (optional)
- Instantaneous display in ICS cooking of the HACCP graphic

CLEANING AND MAINTENANCE

- Self-diagnosis before starting to use the equipment, with descriptive and audible signalling of any anomalies
- SCS (Solid Clean System) automatic cleaning system with built-in tank and automatic detergent dispensing - SOLID CLEAN detergent in 2.20 Lbs. packages used for the generation of detergent
- CALOUT descaling system that prevents the formation and accumulation of limescale in the boiler, with built-in tank and automatic dispensing - SOLID CAL descaler in 2.20 Lbs. packages used for the generation of descaling product
- Manual cleaning system with retractable hand shower

CONTROL EQUIPMENT

- Autoreverse (automatic reverse of fan rotation) for perfect cooking uniformity
- Automatic parallel compartment and core temperature control, DELTA T system
- Automatically regulated steam condensation
- Easy access to programmable user parameters to customize the appliance through the user menu
- Programmable deferred cooking
- Ability to choose up to 6 fan speeds; the first 3 speeds automatically activate the reduction in heating power
- For special cooking methods, you can use an intermittent speed
- Temperature control at the product core using probe with 4 detection points
- 2 core probe
- Core probe connection through a connector outside of the cooking chamber, with the ability to quickly connect the needle probe for vacuum cooking and small pieces
- USB connection to download HACCP data, update software and load/unload cooking programs
- Ready for SN energy optimization system (optional)
- SERVICE program for: Inspecting the operation of the electronic board and display of the temperature probes - Appliance operation timer for all primary functions for programmed maintenance
- ECOSPEED - Based on the quantity and type of product, Naboo optimizes and controls the delivery of energy, maintains the correct cooking temperature, preventing any fluctuations (-10% energy / -30% water / -5% weight loss *)
- ECOVAPOR - With ECOVAPOR system there is a definite reduction in water and energy consumption due to the automatic controls of the steam saturation in the cooking chamber (-10% energy / -30% water / -10% steam *)
- TURBOVAPOR - With the TurboVapor system it automatically produces the ideal level of steam to cook "tough" products like egg pasta or asparagus, turnip greens and chard, which are notoriously fibrous vegetables

CONSTRUCTION

- IPX5 protection against sprays of water
- Perfectly smooth, watertight chamber
- Door with double tempered glass with air chamber and interior heat-reflecting glass for less heat radiation towards the operator and greater efficiency
- Internal glass that folds to open for easy cleaning
- Handle with left or right hand opening
- Adjustable hinge for optimal seal
- Deflector that can be opened for easy fan compartment cleaning

ELECTRIC HEATING SYSTEM

- Cooking compartment heating elements of armoured INCOLOY 800 type

STEAM GENERATOR

- AISI 304 fully insulated steam generator
- Steam generator heating elements of armoured INCOLOY 800 type
- Automatic boiler pre-heating
- Daily automatic boiler draining (temperature of drained water below 140°F) and rinsing
- Alarm in case of boiler de-scaling required
- Boiler semi-automatic de-scaling program
- CAL-OUT system to prevent scale build-up within the boiler, as standard

SAFETY FEATURES

- Cooking compartment safety thermostat
- Cooking compartment safety device for pressure built-up and depression
- Fan motor thermic protection
- Mechanical door switch
- Lack of water displayed alarm
- Self-diagnosis and fault display
- Component cooling system with overheat display control
- Boiler safety thermostat
- Boiler water level probes
- Boiler probe to check boiler completely empty

STANDARD EQUIPMENT

- Automatic cleaning system SCS, Solid Clean System (equipped with 2 cans of Solid Clean - 2.20 Lbs. each)
- CALOUT descaling system (equipped with 1 can of anti-scale product Solid Cal - 2.20 Lbs. each)
- Wi-Fi connection
- Multipoint core probe - Ø 0.12"
- Built-in and retractable hand shower with tap
- 2 stainless steel grids 12x20"

NAEB071

OPTIONAL - TO BE REQUESTED WHEN ORDERING OVEN

- Automatic door opening - not compatible with handle (not available with right hinged door)
- Right hinged door
- Extra charge for energy saving system connection
- Extra charge for removable rack + compulsory frame
- Extra charge for bakery version removable rack + compulsory frame
- Extra charge for bakery version shelf racks
- SMOKEGRILL - 3 in 1 - Barbecue System / Smoking / Flavouring
- Extra charge for Ethernet connection

ACCESSORIES

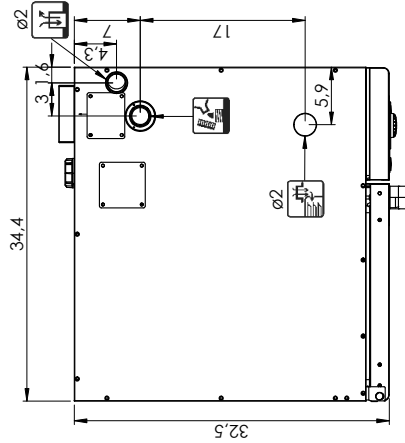
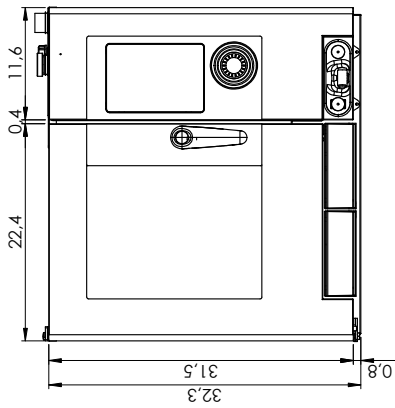
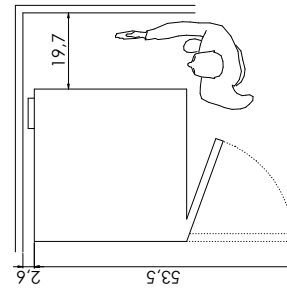
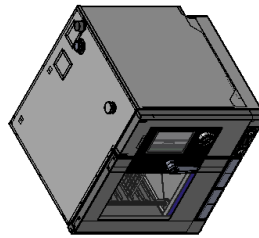
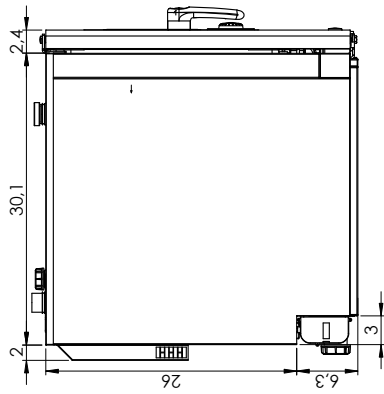
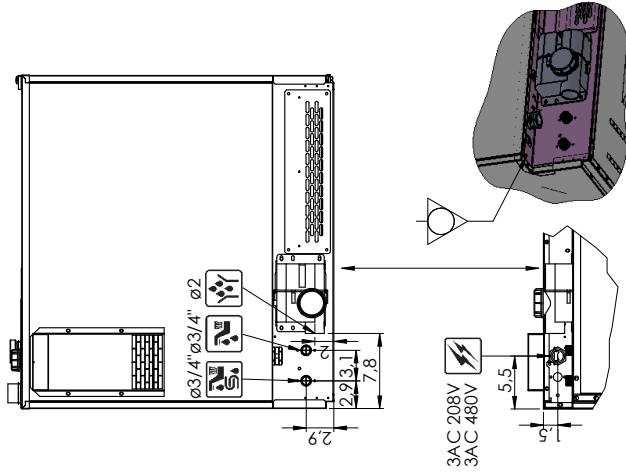
- Needle core probe - Ø 0.04"
- Multiprobes system - 2 multipoint core probes - Ø 0.12"
- Multiprobes system - 2 needle core probes - Ø 0.04"
- Fat filter
- USB pen to download HACCP data, update software and load/unload cooking programs
- Set of feet (h - 5.90")
- Castor kit
- Stainless steel heat shield for the unit right side panel (essential when the oven is positioned next to heat sources)
- Stainless steel floor stand
- Special floor stands for insertion of the blast chiller
- Side runners
- Stainless steel shelf
- Neutral cabinet with doors and side runners
- Neutral cabinet with door
- Flanged feet kit for floor stands, for marine installations
- Castor kit for floor stand, 2 with brake
- Trolley for removable oven racks with drip tray
- Removable rack (to be used with compulsory frame)
- Compulsory frame for removable oven rack and plate racks
- Bakery version - Removable rack (to be used with compulsory frame)
- Bakery version - Pair of shelf racks
- Plate racks (to be used with compulsory frame)
- Rack thermal cover

TECHNICAL DATA

Chamber capacity	No. - Inch.	7 - 12 x 20"	Total electric power	kW	10.5
Distance between layers	Inch	2.76	Gas versions nominal heating output	kW / BTU	- / -
Number of meals		50 / 120	Chamber heating output	kW / BTU	10 / -
External dimensions	Inch	34.45 x 32.48 x 32.28" h	Steam heating output	kW / BTU	7.5 / -
Dimensions with packing	Inch	37.40 x 38.97 x 39.37" h	Fan power	kW	0.37
Weight - Net / Gross	Lbs.	306.44 / 346.12	Power supply voltage	V - 60 Hz	3ph / 208

Special voltages and frequencies upon request

NAEB071



CE IPX 5

Electric power supply cable inlet

Boiler descaling cap

Air extraction

Liquid outlet

Gas inlet and type of thread

Steam vent and chamber pressure drop safety device

Normal water inlet

Steam trap

Flue pipe

Oven steam vent

Softened water inlet

The data reported in this document is to be considered non-binding. Lainox ALI S.p.A reserves the right to make changes at any time, without prior notice.

05.02.2014

