

# GVH-3, 120V

25.8" x 15.8" x 7.0"  
(65.5cm x 40.1cm x 17.8cm)



- New sleek styling with visual 3 lb (1.36kg) hopper promotes freshly ground coffee
- Versatile design allows grinding into bags, cans, and cups and other containers to meet a multitude of customer needs
- Fast grinding – three pounds (1.36kg) in about 90 seconds – maximizes speed of service
- 340° dial resolution for precise tuning of grind particle size
- Ergonomic clamp for holding smaller size bags and containers in place for hands-free operation
- Easy to use cleaning lever for complete removal of coffee from grind chamber ensures the customer gets all the coffee ground for them
- Precision Rockwell 65C hard burrs provide consistency, grind after grind
- Bag switch prevents grinding before bag/container is in place
- Four-year warranty on grinding burrs

Agency:



## Specifications

**Product #:** 55600.6300

**Finish:** Stainless

**Hoppers:** One

**Hopper Capacity:** 3.00 lbs (1.361 kgs)

## Additional Features

## Electrical & Capacity

Volts	Amps	Watts	Cord Attached	Plug Type	8oz cups/hr 236ml cups/hr	Input H <sup>2</sup> O Temp.	Phase	# Wires plus Ground	Hertz
120	11	1320	Yes	NEMA 5-15P	-	60°F (15.5°C)	1	2	60

## Plumbing Requirements

PSI	kPa	Fitting Supplied	Water Flow Required (GPM)
-	-	-	-

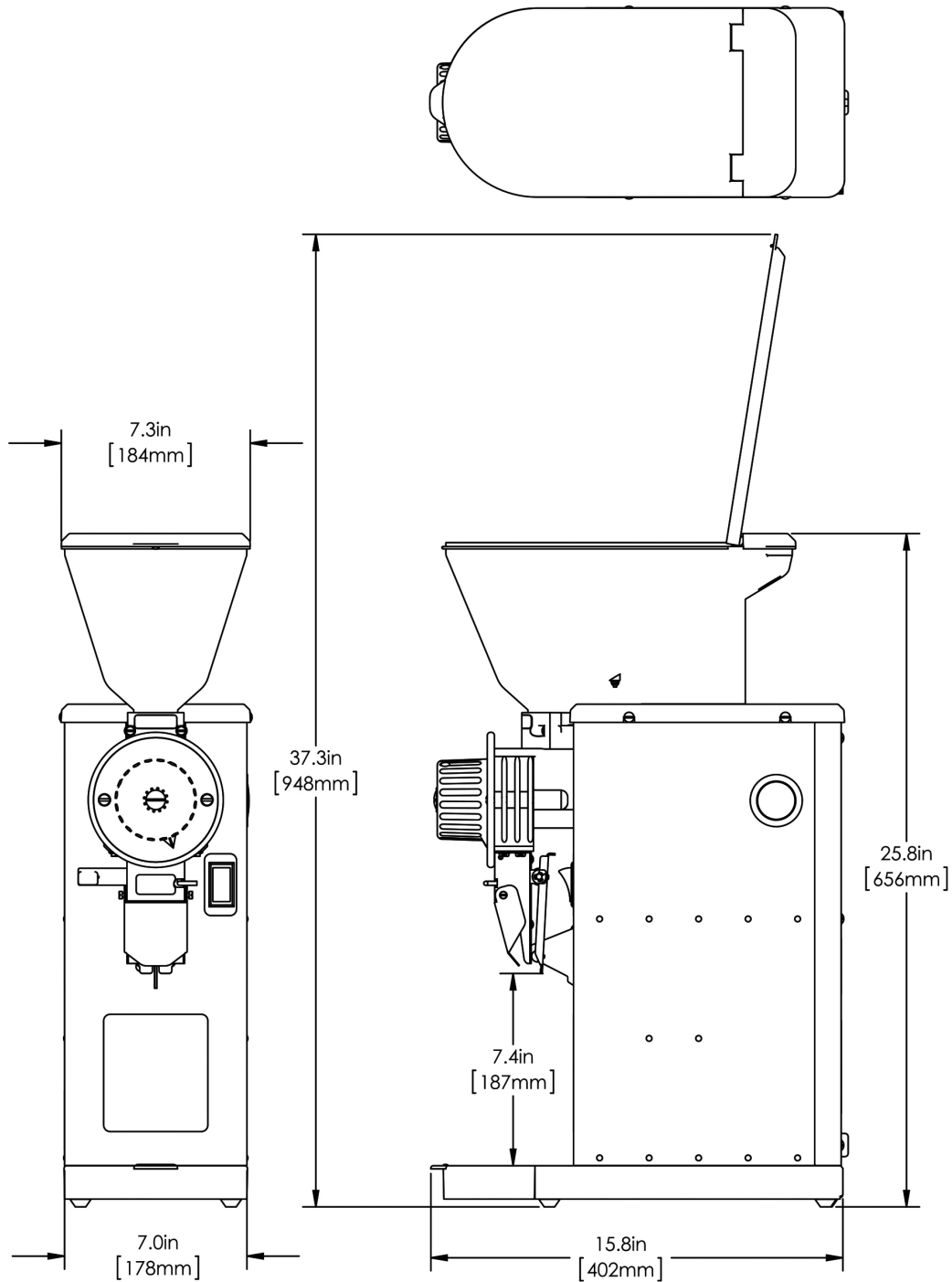
## CAD Drawings

2D	Revit	KLC
•		



BUNN® reserves the right to change specifications and product design without notice. Such revisions do not entitle the buyer to corresponding changes, improvements, additions or replacements for previously purchased equipment. For most current specifications and other info visit [bunn.com](http://bunn.com).

Created on:  
12/17/2018



	Unit			Shipping				
	Width	Height	Depth	Width	Height	Depth	Weight	Volume
English	7.0 in.	25.8 in.	15.8 in.	11.5 in.	30.0 in.	22.4 in.	56.200 lbs	4.472 ft <sup>3</sup>
Metric	17.8 cm	65.5 cm	40.1 cm	29.2 cm	76.2 cm	56.9 cm	25.492 kgs	0.127 m <sup>3</sup>



BUNN® reserves the right to change specifications and product design without notice. Such revisions do not entitle the buyer to corresponding changes, improvements, additions or replacements for previously purchased equipment. For most current specifications and other info visit [bunn.com](http://bunn.com).

Created on:  
12/17/2018

## Related Products & Accessories:GVH-3, 120V(55600.6300)



BURR SET KIT, NEW

Product #: 05861.1002



BURR SET KIT, TURKISH  
GRIND

Product #: 11285.1000

CHUTE ASSY, TRIFECTA

Product #: 55032.0000

## Serving & Holding Options:GVH-3, 120V(55600.6300)

\*Serving and Holding selections are currently unavailable. Please contact your sales representative to find out more information.\*



BUNN® reserves the right to change specifications and product design without notice. Such revisions do not entitle the buyer to corresponding changes, improvements, additions or replacements for previously purchased equipment. For most current specifications and other info visit [bunn.com](http://bunn.com).

Created on:  
12/17/2018