

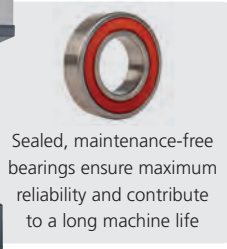
**meridian™**

# HID540 - Touch-Free Ice & Water Dispenser

## Nugget Ice Machine / Dispenser



HID540A-1 with optional KLP24A legs



Sealed, maintenance-free bearings ensure maximum reliability and contribute to a long machine life

### The Meridian® Difference

#### Sanitation:

- Touch-free, infrared dispensing of ice and water eliminates the need to physically touch the dispenser for more sanitary operation
- AgION® and other antimicrobial compounds are molded into key components to help inhibit the growth of microbes, bacteria, mold and algae
- Fully removable bin, spouts, air filter, sink, and grill allow for easy cleaning and maintenance
- Sealed refrigeration system minimizes outside airborne contamination
- Front accessible, removable air filter makes cleaning more convenient

#### Reliability & Ease of Use:

- Sealed, maintenance-free bearings reduce preventative maintenance and ensure maximum reliability
- Produces Scotsman's chewable H<sup>2</sup> Nugget Ice which is slow-melting and designed for reliable dispensing
- Space-maximizing design – the industry's smallest operational footprint relative to capacity, featuring specially designed contoured sides for enhanced breathability
- SmoothStream™ water dispensing technology reduces splashing to keep the machine and surrounding areas clean
- Unit-specific QR code for quick access to service manuals and warranty history
- Durable stainless-steel evaporator and exterior panels, plus larger sink opening and dispensing area
- Enhanced service features - Intuitive LED diagnostic lights reduce service time and convenient USB drive allows for fast software updates
- Industry-leading energy and water efficiency along with quieter operation

HID540 - Touch-Free Ice Machine / Dispenser



Touch-free infrared sensor dispensing option, providing more sanitary operation



User controlled antimicrobial push-button dispensing option, providing quick and efficient operation



### 24 Hour Volume Production

Air Cooled		Water Cooled	
70°F/21°C 50°F/10°C	Air Water	90°F/32°C 70°F/21°C	Air Water
500/227 lb/kg		380/166 lb/kg	500/227 lb/kg
			400/181 lb/kg



### Specifications

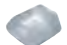
Model Number	Condenser Unit	Dispensing Method	Storage Capacity lb/kg	Basic Electrical Volts/Hz/Phase	Max. Fuse Size or HACR Circuit Breaker (amps)	Min. Circuit Amps	Energy Consumption kWh/100 lb 90°F(32°C)/70°F(21°C)	Water Usage Gallons/100 lb (liters/45.4 kg)	
								Potable 90°F(32°C)/70°F(21°C)	Condenser 90°F(32°C)/70°F(21°C)
HID540AX-1	Air	Touch-Free Sensor	40/18.1	115/60/1	15	Cord	4.18	12/45.5	-
HID540ABX-1	Air	Button Activated	40/18.1	115/60/1	15	Cord	4.18	12/45.5	-
HID540AWX-1*	Air	Touch-Free Sensor	40/18.1	115/60/1	15	Cord	4.18	12/45.5	-
HID540WX-1	Water	Touch-Free Sensor	40/18.1	115/60/1	15	Cord	3.53	12/45.5	120/454.3
HID540WBX-1	Water	Button Activated	40/18.1	115/60/1	15	Cord	3.53	12/45.5	120/454.3

\*Wall mount configuration. Does not have or accept a drip tray. Unit designed to be installed over existing sink.



### H<sup>2</sup>Nugget Ice

Chewable, slow-melting ice that allows for more reliable dispensing.

  
3/4" x 5/16" x 3/8"  
(1.9 x 0.8 x 0.95 cm)



### Certification



### Warranty

- 3 years parts and labor.
- 5 years parts on the compressor and condenser.
- Warranty valid in North, South & Central America for commercial installations.
- Contact factory for warranty in other regions.
- Residential Applications: 1 year parts and labor

**Scotsman®**

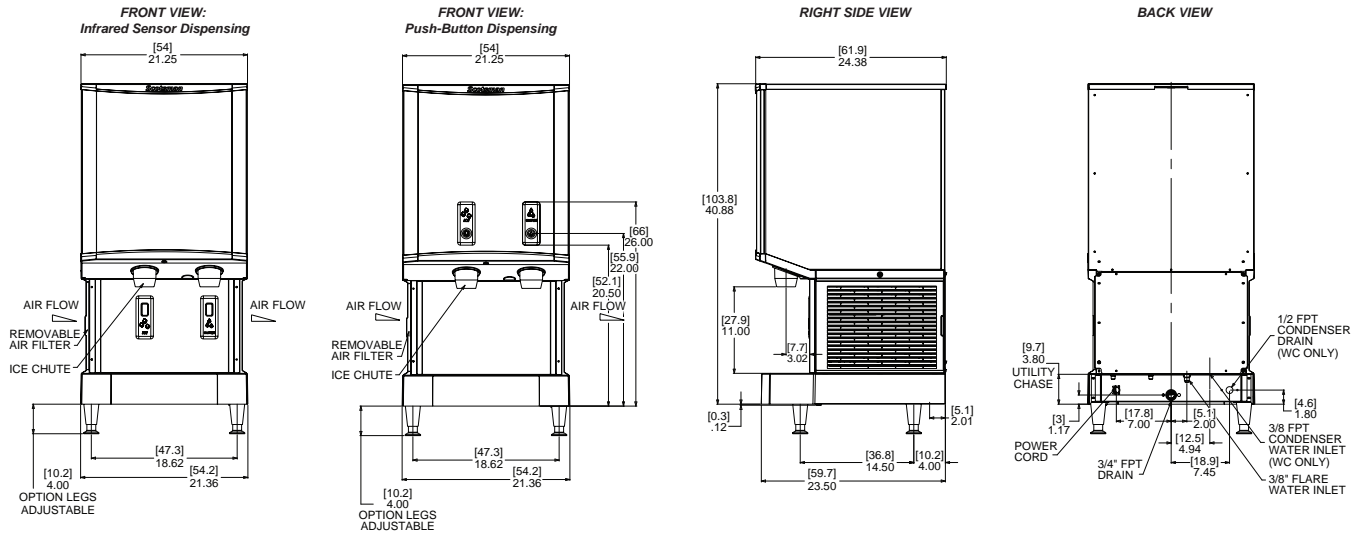
• 101 Corporate Woods Parkway, Vernon Hills, IL 60061 •  
• 1-800-SCOTSMAN • Fax: 847-913-9844 • www.scotsman-ice.com • customer.relations@scotsman-ice.com •

# HID540 - Touch-Free Ice & Water Dispenser

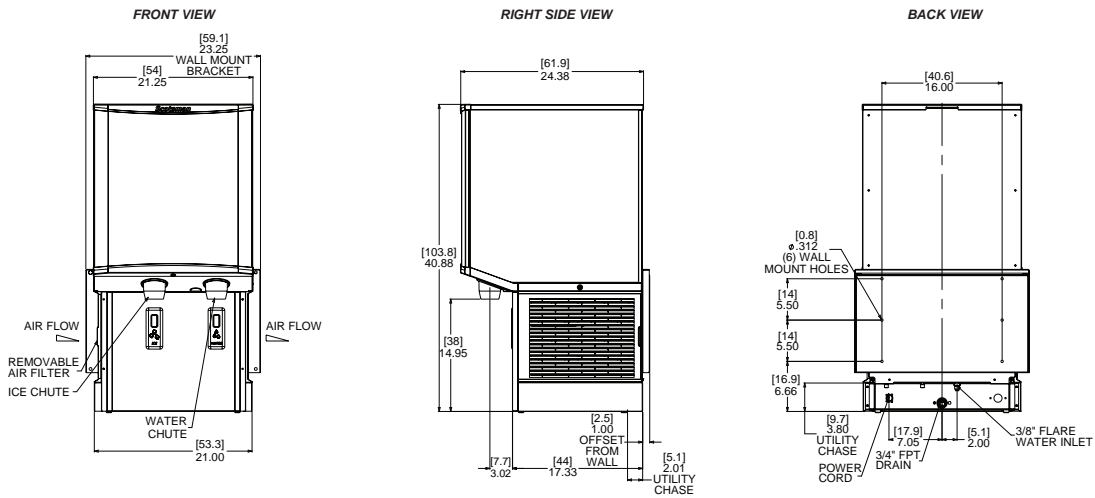
## Nugget Ice Machine / Dispenser

Without Wall Mount: HID540A(B) & HID540W(B)

Installation Note: Allow 6" space at left, back and right side for ventilation and utility connections.  
All models include 7.5' power cord with NEMA 5-15P plug.



With Wall Mount: HID540AW



HID540 - Touch-Free Ice Machine / Dispenser



### All Models

#### Dimensions (W x D x H):

Unit:

HID540A(B)X-1: 21.25" x 24.38" x 41"  
 HID540AWX-1: 23.25" x 24.38" x 41"  
 HID540W(B)X-1: 21.25" x 24.38" x 41"

Shipping Carton:

HID540A(B)X-1: 24.25" x 27.13" x 47.5"  
 HID540AWX-1: 24.25" x 27.13" x 47.5"  
 HID540W(B)X-1: 24.25" x 27.13" x 47.5"

Shipping Weight: HID540A(B)X-1: 215lb / 98kg  
 HID540AWX-1: 220lb / 100kg  
 HID540W(B)X-1: 215lb / 98kg

BTUs per hour: 6,800

Refrigerant: R290

Refrigerant Charge (oz): 5.0



### Accessories

Model Number	Description
KLP24A	4" Adjustable legs, box of 4, plastic with metallic foot.
HST21-A	Machine stand for HID525 and HID540, with locking reversible door and shelf.
HST21B-A	Machine stand for HID525 and HID540, basic version.

Scotsman recommends all ice machines have water filtration. See Scotsman water filter specification sheet for details.



### Operating Requirements

	Minimum	Maximum
Air Temperatures	50°F (10°C)	100°F (38°C)
Water Temperatures	40°F (4.4°C)	100°F (38°C)
Potable Water Pressures	20 PSIG (1.4 bar)	80 PSIG (5.5 bar)
Electrical Voltage	-5%	+10%

Specifications and design are subject to change without notice.