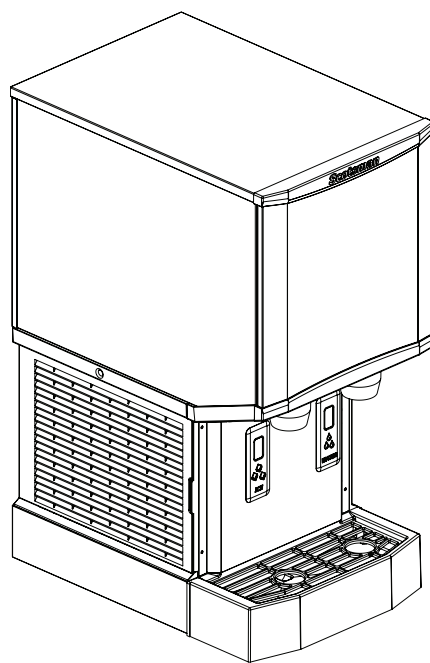
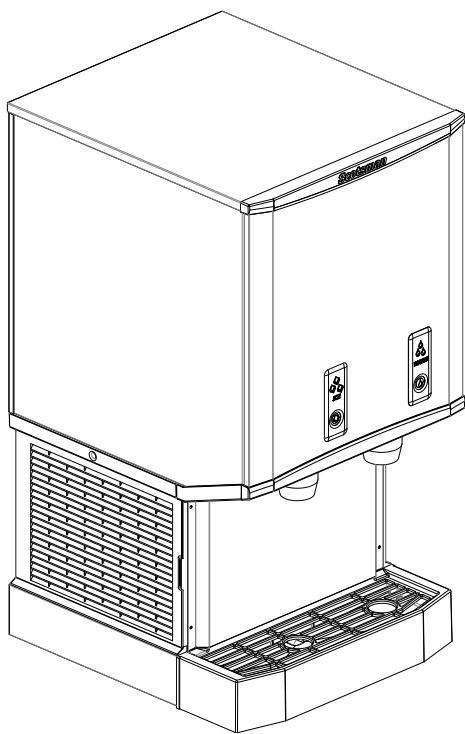






Installation and User's Manual for
Meridian Ice Maker-Dispensers
models
HID312X, HID525X and HID540X



Safety Information

 WARNING	
R290 Refrigerant is Flammable. Flame can cause burns or property damage Keep away from sources of fire	

Important Safety Information. Make sure to read through fully to avoid severe injury or death.



This ice machine contains **FLAMMABLE** refrigerant and improper use can result in fire or explosion. Do not use cigarettes, vapes, or cellphones near pipes or cables, as it can be a source of ignition or spark.



This ice machine must not be installed next to equipment with an open ignition source (ie. open flames, an operating gas appliance, or electric heater).



Do not store explosive substances such as aerosol cans with a flammable propellant in this appliance.



WARNING: In order to reduce flammability hazards the installation of this appliance must only be carried out by a suitably qualified person.



Do not install next to anything that continuously vibrates, avoiding excessive vibrations or pulsations.



Install in a well ventilated environment and ensure ventilation and outlets are not obstructed.



Properly secure electrical wiring and cabling for the machine to minimize wear and vibrations.



Keep fire extinguisher nearby in case of emergencies.



WARNING: Cancer and Reproductive Harm. Visit www.P65Warnings.ca.gov for details.



Use a Scotsman recommended technician certified to repair R290 equipment.



Install **ONLY** Scotsman factory service parts. Use of non-OEM parts can be dangerous due to the design changes needed to safely use R290 refrigerant.

HID312X, HID525X and HID540X Installation and User's Manual

Introduction

The ice maker-dispensers covered in this manual were designed to be the finest on the market. Their design is a result of Scotsman's long experience in ice maker-dispensers.

This manual includes the information needed to install, start up and operate the machine. Because there are three models covered, be sure that any instructions apply to your unit.

HID312X is 16" wide and 34.9" tall. It is only available as an air cooled model.

HID525X is 21" wide and 34.9" tall. It is available as an air cooled model or as a water cooled model.

HID540X is also 21" wide, but it is 40.9" tall. It is also available either air or water cooled.

Observe any caution or warning notices. They are important and provide notice of potential hazards. Keep this manual for future reference.

If additional technical information is needed, go to Scotsman's website, www.scotsman-ice.com to download a service manual.

Note: This is a commercial product. If service is needed on a unit in a residence, use a commercial service company. Locate one at the website above.

Contents

Specifications	Page 2
Models	Page 3
HID312X Cabinet Drawing	Page 4
HID525X Cabinet Drawing	Page 5
HID540X Cabinet Drawing	Page 6
Placement.....	Page 7
Counter Installations.....	Page 8
Machine Stands / Legs.....	Page 9
Component Location	Page 10
Installation - Plumbing	Page 11
Installation - Electrical.....	Page 12
Initial Start Up	Page 13
Operation: Ice and Water Vending	Page 14
Controller.....	Page 15
Maintenance and Cleaning.....	Page 16
Air Filter	Page 17
Maintenance and Cleaning - Dispensing Bin Components	Page 18
Ice Level Controls.....	Page 19
Ice Making and Ice Dispensing System Cleaning Instructions.....	Page 20
Other Maintenance	Page 22
Basic Troubleshooting	Page 23
Controller Diagnostics	Page 24
Decommissioning	Page 25

HID312X, HID525X and HID540X Installation and User's Manual

Specifications

The ice maker-dispenser is designed to be installed indoors, in a controlled environment. Although it can operate in a wide range of air and water temperatures, it will provide the best performance if not subject to extremes.

Air Temperature Limitations

- Maximum: 100°F. or 38°C
- Minimum: 50°F. or 10°C

Water Temperature Limitations

- Maximum: 100°F. or 38°C
- Minimum: 40°F. or 4.4°C

Water Pressure, potable

- Maximum: 80 PSI or 5.5 bar
- Minimum: 20 PSI or 1.3 bar

Water Pressure, condenser inlet

- Maximum: 145 PSI or 10 bar
- Minimum: 20 PSI or 1.3 bar; can be as low as 5 PSI or .3 bar if clean & supplied with 45°F. water)

Condenser GPM

- 70°F. water: .25 GPM or .95 LPM
- 50°F. water: .15 GPM or .57 LPM

Water Conductivity:

- Minimum: 10 microsiemens/cm

RO water may be supplied to the potable water system, but if it has less than the above conductivity, the water level sensor will not detect water and the unit will not make ice.

Deionized water will not work and isn't recommended.

Voltage

- Maximum: 126 Minimum: 104

Operating the machine outside of any of the above limitations is considered abuse. Any resulting damage is not covered by warranty and could cause a complete loss of warranty coverage.

Warranty Information

The warranty statement for this product is provided separately from this manual. Refer to it for applicable coverage. In general, warranty covers defects in material or workmanship. It does not cover maintenance, corrections to installations, or situations

when the machine is operated in circumstances that exceed the limitations printed above.

This is a commercial model, if installed in a residence some commercial service companies may not be able to service it on site.

Fill out the Warranty Registration Card shipped with the unit and mail it in, or scan the QR code to register the machine on the Scotsman warranty website:



Product Information

The product is an ice maker-dispenser. It is designed to be installed on a counter top or on a specific machine stand.

- All models require a drain. An internal drain basin separates the ice storage bin's drain from the drip tray drain.
- A backflow preventer may be required by local plumbing codes.
- Has a 7.5 ft. power cord with NEMA 5-15P plug.
- Air cooled models flow air left to right and include a cleanable air filter.
- Legs are optional. Thread size 3/8-16.
- Special models are required for wall mounting.
- Two different dispensing methods are available:
 - Touch-free models utilize infra-red sensors to trigger ice and water dispensing.
 - Button activated dispensing models trigger ice and water dispensing via finger press buttons.
- For available options and kits, see sales literature.

Scotsman Ice Systems are designed and manufactured with the highest regard for safety and performance. They meet or exceed the standards of UL60335-2-89 and NSF.

Scotsman assumes no liability or responsibility of any kind for products manufactured by Scotsman that have been altered in any way, including the use of any part and/or other components not specifically approved by Scotsman.

Scotsman reserves the right to make design changes and/or improvements at any time. Specifications and design are subject to change without notice.

HID312X, HID525X and HID540X

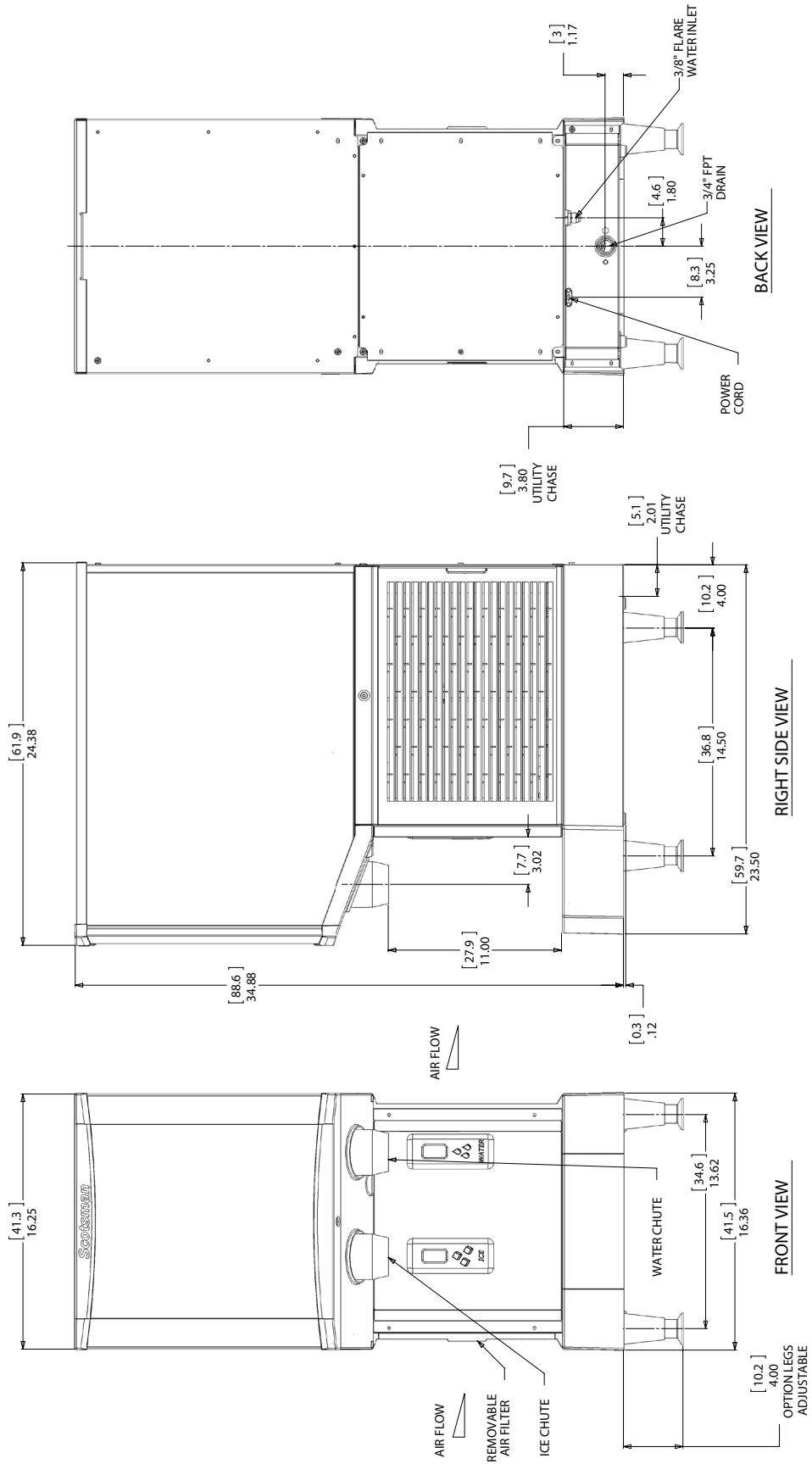
Installation and User's Manual

Models

Model	Series	Dispensing Type	Electrical	Condenser	Typical Amp Draw	Max Fuse Size
HID312AX-1	A	Touch Free	115/60/1	Air	4.5-5	15
HID312ABX-1	A	Button Activated	115/60/1	Air	4.5-5	15
HID525AX-1	A	Touch Free	115/60/1	Air	5.8-7	15
HID525WX-1	A	Touch Free	115/60/1	Water	5.8-7	15
HID525ABX-1	A	Button Activated	115/60/1	Air	5.8-7	15
HID525WBX-1	A	Button Activated	115/60/1	Water	5.8-7	15
HID525AX-32	A	Touch Free	208-230/60/1	Air	3.1-3.3	15
HID540AX-1	A	Touch Free	115/60/1	Air	5.8-7	15
HID540WX-1	A	Touch Free	115/60/1	Water	5.8-7	15
HID540ABX-1	A	Button Activated	115/60/1	Air	5.8-7	15
HID540WBX-1	A	Button Activated	115/60/1	Water	5.8-7	15

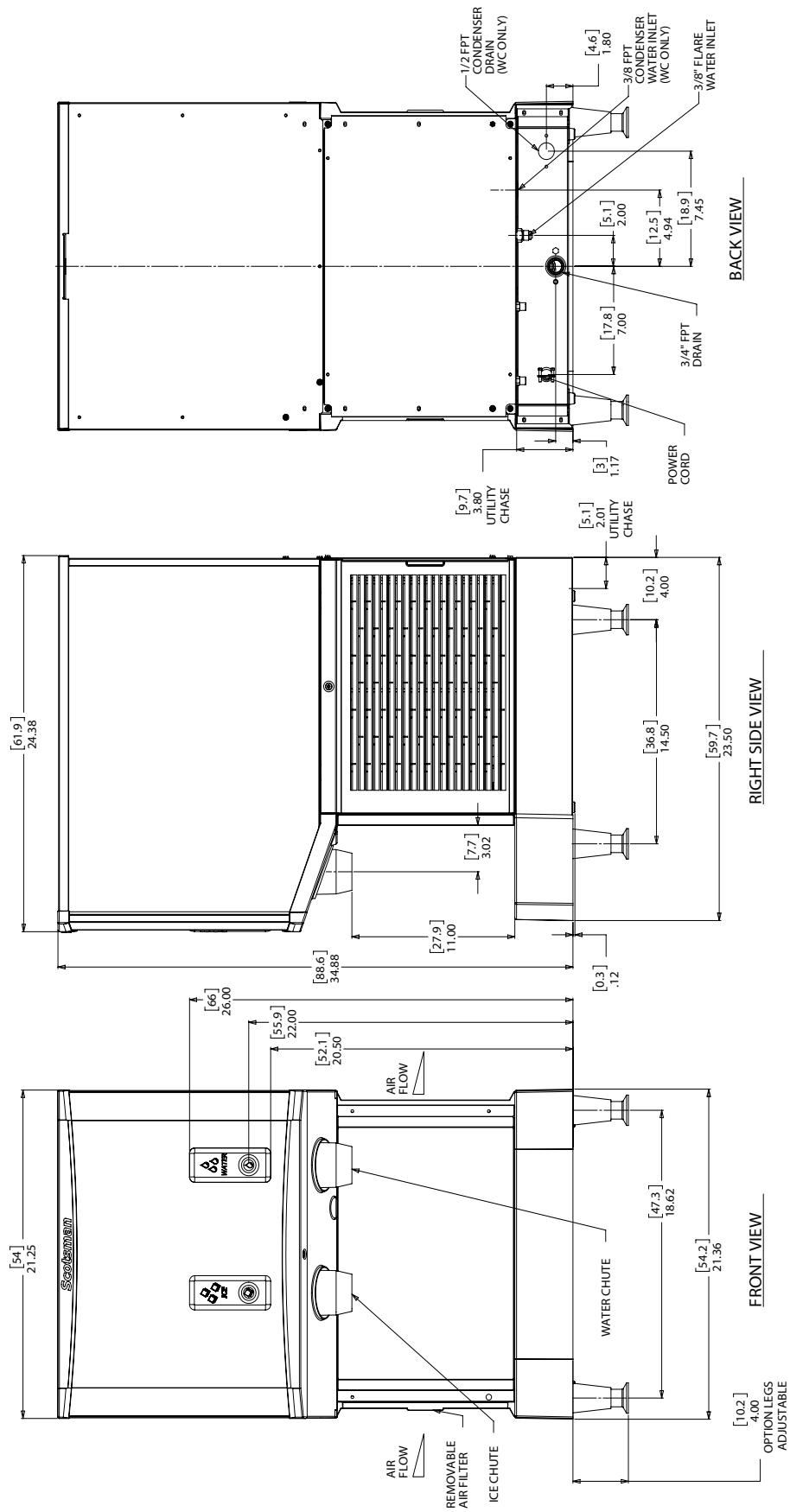
HID312X, HID525X and HID540X Installation and User's Manual

HID312X Cabinet Drawing



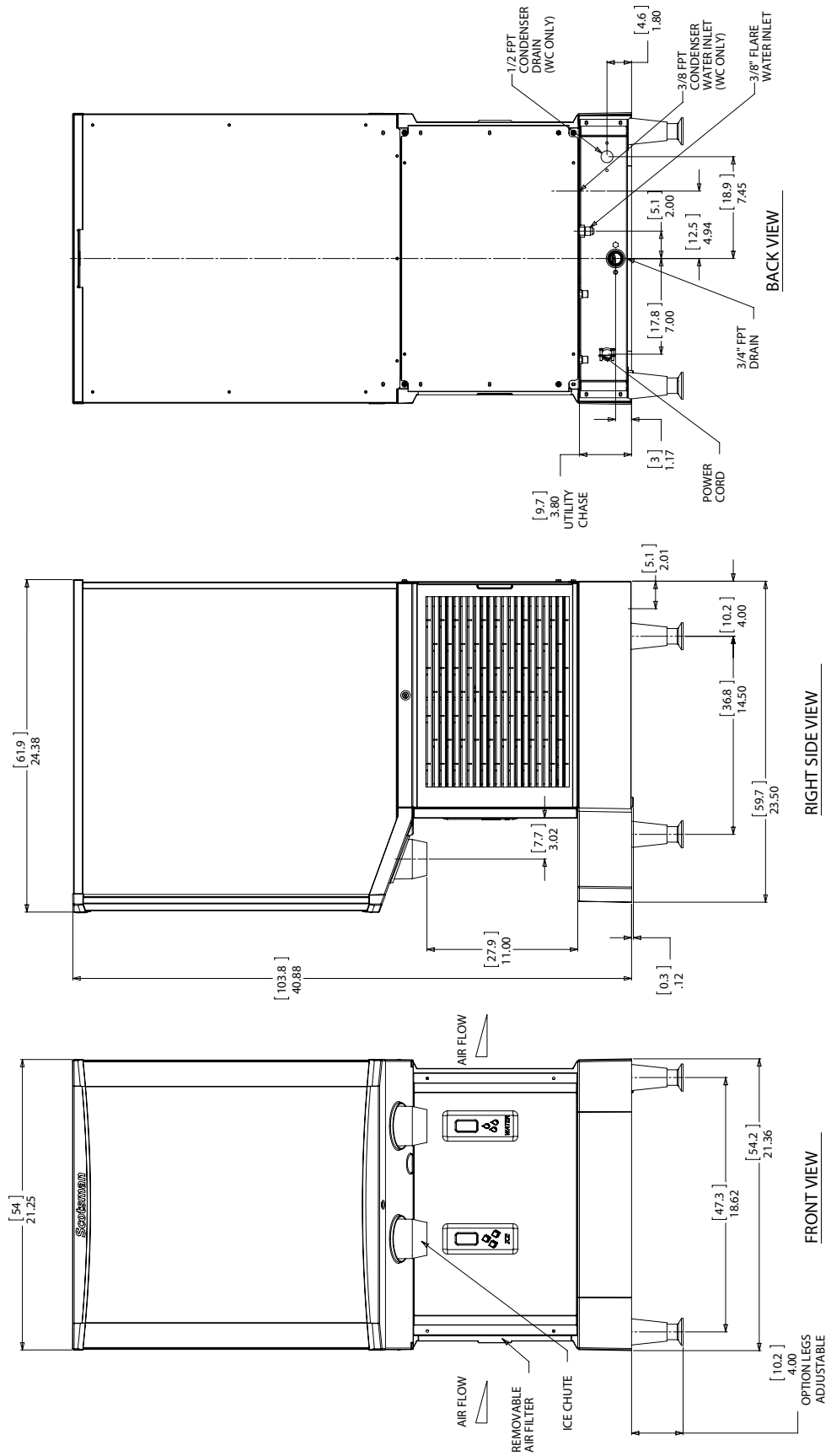
HID312X, HID525X and HID540X Installation and User's Manual

HID525X Cabinet Drawing



HID312X, HID525X and HID540X Installation and User's Manual

HID540X Cabinet Drawing



HID312X, HID525X and HID540X Installation and User's Manual

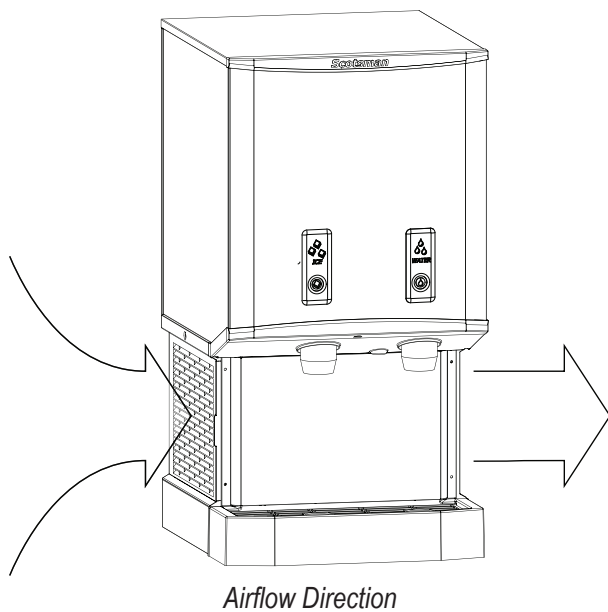
Placement

The location of the equipment should be selected with care. Consideration should be given to allow adequate space on the sides for air cooled models to breathe.

Minimum clearances for air cooled models:

- 6" at each side
- 2" above, 10" more to allow auger removal when ceiling is fixed.
- 6" at the back.

Air cooled models circulate air left to right. More space than the minimum at the sides will maximize performance.



The power outlet should be located within the length of the supplied power cord. If placed on a counter, the counter must be strong enough to support the weight of the unit. Space above the cabinet should be allowed for service and maintenance. If legs will be used, allow space for the total cabinet height.

Air cooled models in a small room will require ventilation to exhaust the heat they produce. They also produce some added noise from the fan. Noise sensitive areas should consider water cooled equipment or the machine located where the noise from ice making is not objectionable.

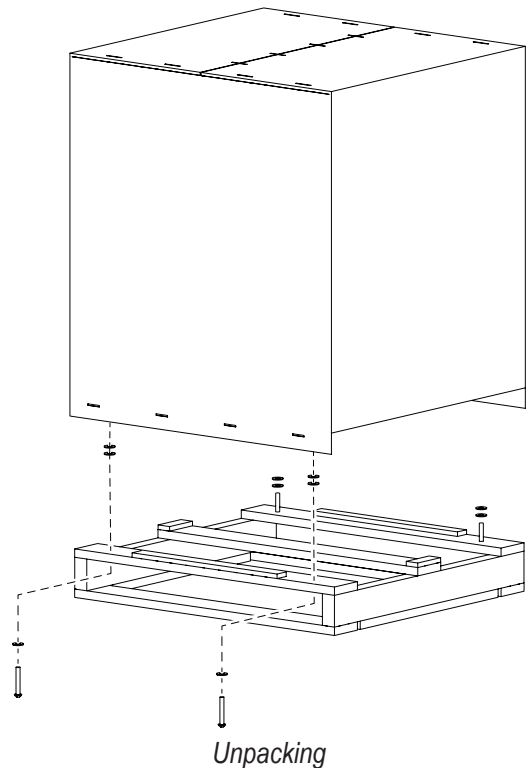
Touch-Free dispensing models should avoid areas with nearby infrared emitters or a window that allows sunlight to shine on a dispensing sensor which may cause the unit to dispense without a container to trigger it.

Cafeteria applications.

The unit can be placed in a cafeteria line for ice and water. As some users sometimes dispense too much ice, high volume use may require the drip tray to be occasionally cleared of spilled ice.

Unpack

1. Separate the carton from the shipping pallet.
2. Remove any strapping holding the cabinet to the pallet.
3. Inspect for hidden shipping damage. If any is found, retain carton and notify carrier for potential claim. Shipping damage is not covered by warranty.
4. Remove bolts holding machine to pallet. Use caution to not tip unit too far when removing bolts.



5. Remove plastic covering the drip tray.
6. Remove the protective plastic covering the panels. The longer the protective plastic is left on the panel, the harder it will be to remove it.
7. Place unit on machine stand or counter. If on machine stand, secure the cabinet to the machine stand with the required fasteners.

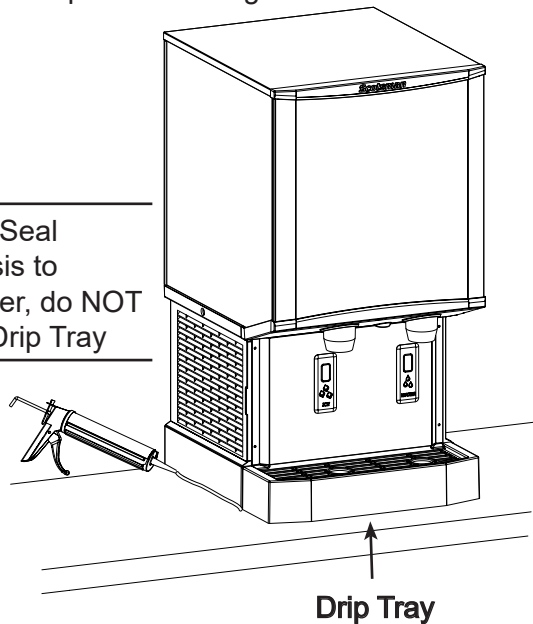
HID312X, HID525X and HID540X

Installation and User's Manual

Counter Installations

Units placed on a counter must either use legs or be sealed to the counter top with food grade sealant per local codes. To avoid disturbing the seal, complete the installation prior to sealing.

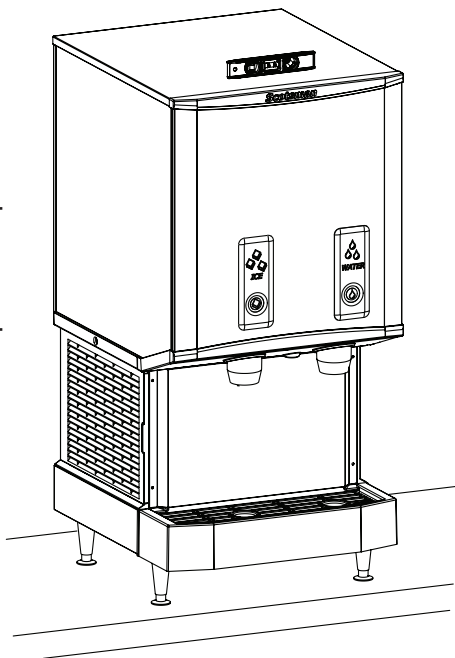
Note: Seal Chassis to Counter, do NOT Seal Drip Tray



Legs

4" legs are optional for counter top applications. They are **NOT** to be used on the HIDX dispenser when it is placed on a machine stand.

Note: Use only legs of 4" minimum height.

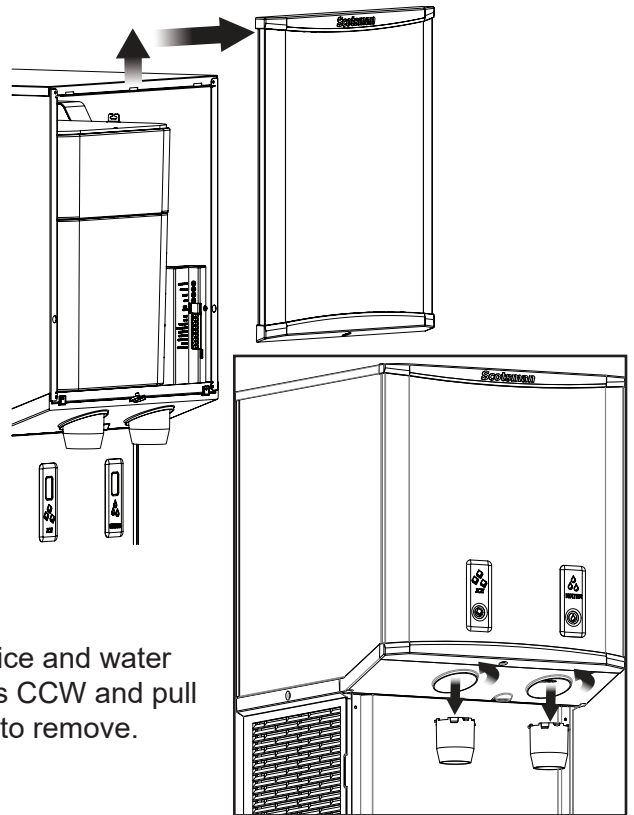


Set Up

The drip tray and cup rest are shipped in place. There is no need to attach or remove them. It is a good idea to remove the front panels and inspect for any loose or rubbing parts prior to installation.

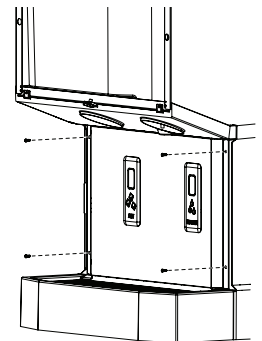
Panel Removal

Remove one screw at bottom of upper front panel, swing bottom of panel forward and lift off the unit. On button activated dispensing models, rest the panel on the drip tray and unplug button connector to fully remove panel.



Twist ice and water chutes CCW and pull down to remove.

Remove four screws from sides of lower front panel, pull forward slightly lift off the unit. On Touch-Free dispensing models, rest it on the drip tray and unplug sensor connector to fully remove panel.



Pre-Start Inspection

Level the cabinet front to back and left to right.

Confirm there are no loose or rubbing parts.

Return splash panel and chutes to unit.

HID312X, HID525X and HID540X Installation and User's Manual

Machine Stands / Legs

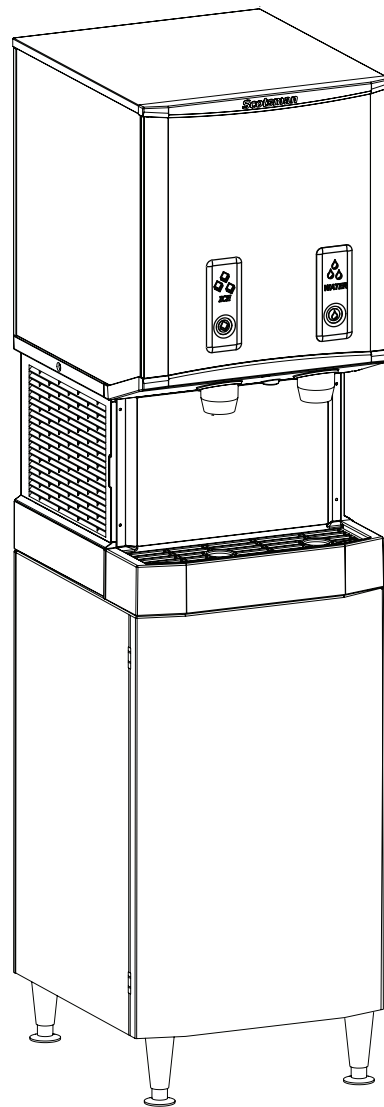
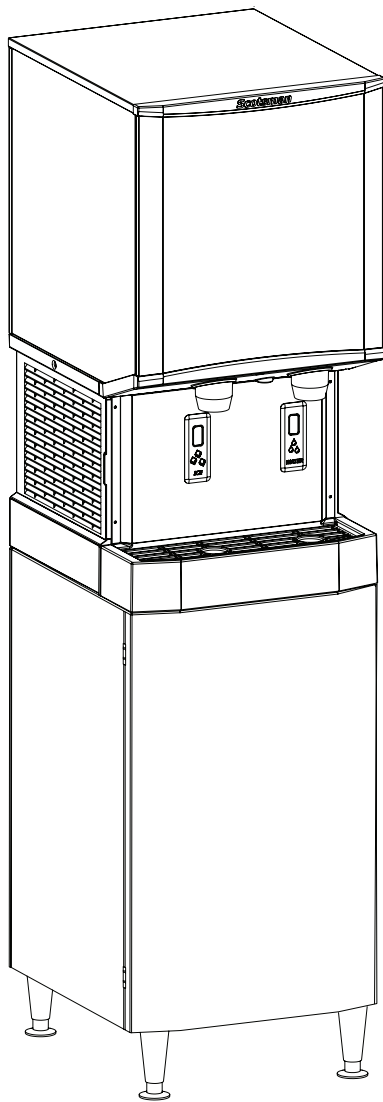
Scotsman manufactures two machine stands for the HIDX dispensers: a 16" wide model and a 21" wide model. The prior machine stands are not suitable for use with the HIDX models and their use is not recommended.

Machine stand for HID312X: HST16-A and HST16B-A

Machine stand for HID525X: HST21-A and HST21B-A

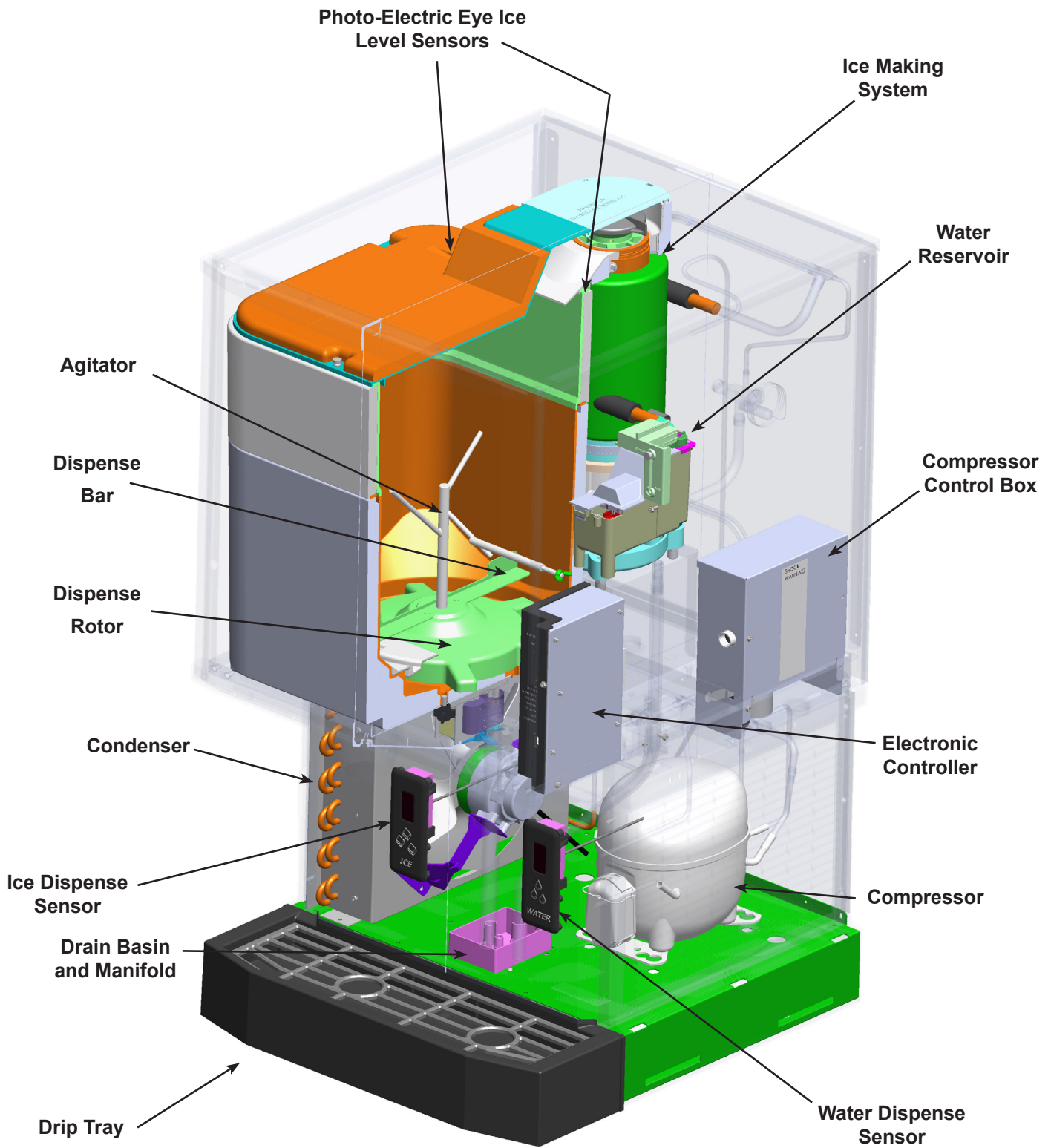
Machine stand for HID540X: HST21-A and HST21B-A

Adjustable legs for All: KLP24A (Set of 4) 4" Adjustable legs.



HID312X, HID525X and HID540X Installation and User's Manual

Component Location



HID312X, HID525X and HID540X Installation and User's Manual

Installation - Plumbing

Installation should be done by an experienced ice machine installer. To locate one, call the number on the back of this manual or go to Scotsman's website www.scotsman-ice.com to identify a local distributor or service company.

The machine will require power, water and drain. Locate the water supply fitting on the lower back of the cabinet and obtain the correct fitting to connect the water supply.

Plumbing Fittings:

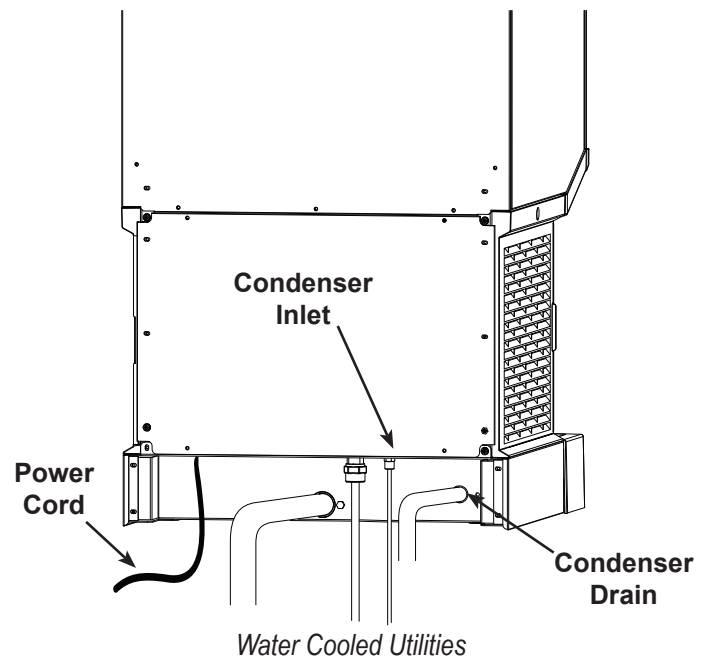
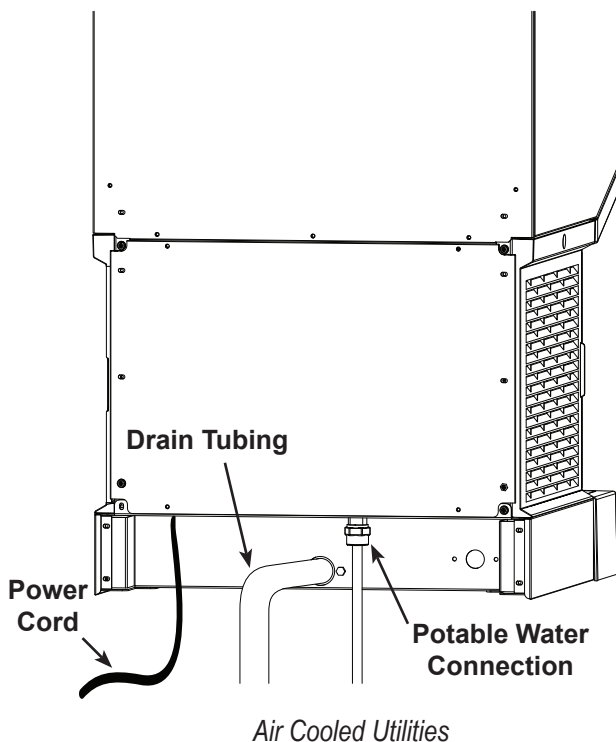
- Potable water inlet: 3/8 male flare.
- Cabinet drain: 3/4 FPT.
- Water cooled condenser inlet: 3/8 FPT.
- Water cooled condenser drain: 1/2 FPT

Connect drain tubing to the central drain fitting at the back of the cabinet. Use 3/4" rigid tubing of a material which meets local codes. The drain basin in the machine will act as an internal vent. No additional vent should be required unless there is a very long horizontal run. Drain tubing must pitch down 1/4 inch per foot to the building drain. Insulation of drain tubing is recommended for most environments.

Water cooled models:

Connect water or coolant supply (if using recirculating system) to the condenser inlet.

Connect drain (or return if a recirculating system) to the condenser drain. Use only rigid tubing. Do not vent this drain tube.



All models:

Connect the potable water supply to the inlet at the bottom back of the unit. 3/8" OD tubing recommended. Water filters may be used but are not required.

Note: Activated carbon or charcoal water filters are used for taste and odor problems but also take out any chlorine that the local water agency may have added for purification. That can require more frequent sanitization of the equipment. Scotsman filters are available for all applications of our products.

HID312X, HID525X and HID540X

Installation and User's Manual

Installation - Electrical

Electrical Supply - 115 volt models

Plug the unit into a dedicated 15 amp outlet. The unit must be the only device on the circuit. Confirm the outlet is properly grounded and is in good condition. Worn outlets should be replaced as they can cause erratic operation of equipment. Do not use an extension cord. Do not cut off the ground plug on the power cord.

Ground fault outlets are not recommended. If ground fault is required, a ground fault breaker should be used.

This ice machine should be installed on a dedicated circuit with a properly sized HACR-rated breaker or fuse. No other devices or appliances should be connected to the same circuit with the ice machine. Installing a unit on a shared circuit can cause product malfunctions or damage to the unit. The proper circuit size can be found on the unit data tag listed as "MAX FUSE OR HACR TYPE CIRCUIT BREAKER". Never allow the fuse size to exceed the maximum fuse size listed on the data tag.

The use of a ground fault circuit interrupter (GFCI) or arc-fault circuit interrupter (ARCI) can lead to nuisance trips and is not recommended for use on most appliances, including our equipment.

If local codes or other specifications require the use of ground fault circuit interrupters, a properly rated HACR GFCI or ARCI circuit breaker should be used. An outlet type GFCI or ARCI is not recommended for ice machines and other refrigeration equipment due to more frequent nuisance trips of the GFCI or ARCI.

Always check with your local electrical inspector about the specific code requirements in your area for GFCI or ARCI breakers and GFCI or ARCI receptacles. Use the services of a licensed electrician when needed and conform to local and national codes.

Follow All Local Codes - This Unit Must Be Grounded. Do not use extension cords and do not disable or bypass ground prong on electrical plug.

Position the unit in its final location.

Level the unit front to back and left to right.

Seal to the counter top as required per local codes.

HID312X, HID525X and HID540X

Installation and User's Manual

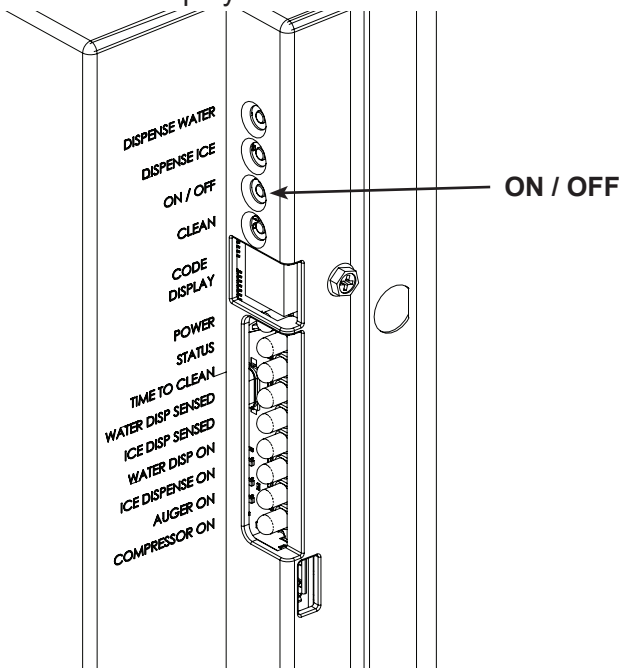
Initial Start Up

Final check list:

1. Is the icemaker-dispenser installed indoors, in a location where the air and water temperatures are controlled, and where they do not go beyond design limitations?
2. Is there an electrical disconnect (switch or plug as required) within sight of the installed machine? Is the machine on a separate circuit? Has the voltage been checked and compared to nameplate requirements?
3. Have all of the plumbing connections been made and checked for leaks?
4. Has the machine been leveled?
5. Is there a minimum of 3 inches of clearance at the left and right sides of an air cooled machine?
6. Is there clearance at the top and back of the machine for service and utility connections?
7. Is there a water shut off valve installed near the machine?

Start Up

1. Remove upper front panel
2. Open the water hand valve, observe that water enters the water reservoir, fills and then shuts off. Check for leaks. Repair any leaks before going any further.
3. Switch electrical supply on. Lights on controller will flash and then the power light will remain on. The code display will show *0*.

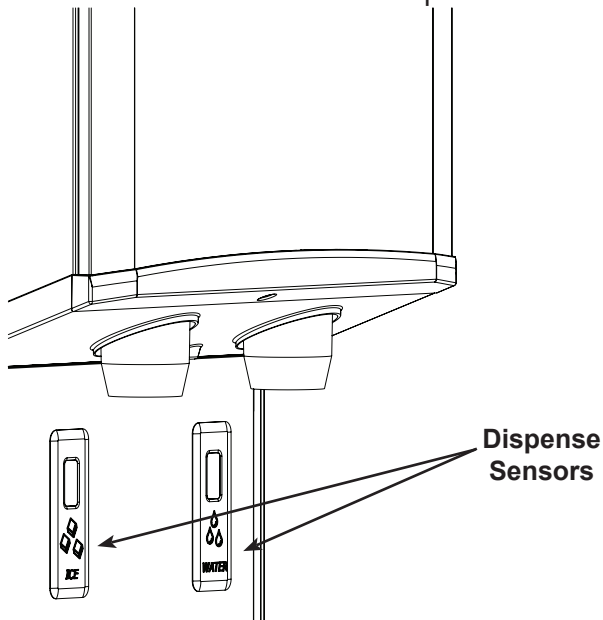


4. Push and release the ON/OFF button. The machine will start the ice making process. The code display will show *F*. Air cooled models will discharge warm air out the right side, water cooled models will discharge warm (about 110°F.) water out of the condenser drain.
5. In minutes ice will begin to fall into the dispensing bin. Check ice dispensing:
Touch-Free dispensing models: hold a container in front of the Touch-Free ice sensor (just below the ice delivery spout). Ice should flow from the spout when a container is present, and stop dispensing when the container is removed.
Button activated dispensing models: press the ice button for 2-3 seconds and release. Ice will flow when button pressed and stop when released.
6. Check water dispensing:
Touch-Free dispensing models: hold a container in front of the Touch-Free water sensor. Water will flow when a container is present and stop when it is removed.
Button activated dispensing models: press the water button for 2-3 seconds and release. Water will flow when button pressed and stop when released.
7. Push the ON/OFF button to switch machine off.
8. Unplug or disconnect electrical power.
9. Remove the top panel and the top of the ice storage bin. Scoop out any ice in the bin and sanitize the interior of the ice storage bin by wiping it with a locally approved sanitizer or a mixture of 1 ounce of household bleach to 2 gallons of water. Allow to air dry.
10. Reconnect electrical power.
11. Push the ON/OFF button to switch machine on.
12. Replace all covers and panels.
13. Give the owner/user the user manual. Instruct them in the operation and maintenance requirements of the unit. Make sure they know who to call for service.
14. Fill out the Customer Evaluation and Warranty Registration form, and mail it in to Scotsman or register the unit at Scotsman's website (www.scotsman-ice.com).

HID312X, HID525X and HID540X Installation and User's Manual

Operation: Ice and Water Vending

During ice making, soft ice is compressed through a die and then broken off into irregular lengths. It will not be clear and, because of melting, when dispensed it will not be uniform in size or shape.



Dispensing takes place when the Touch-Free sensor's infrared beam bounces back to the sensor from a container placed directly in front of it, or when the ice/water button is pressed on button activated dispensing models.

Note: For Touch-Free sensors, place a container 1" away from the lens to trigger dispensing activation. Any placement farther or closer, or fully blocking the lens, will not activate dispensing.

If the container is in front of the Touch-Free sensor on the left side or the ice button is pressed, the ice dispensing rotor will rotate and sweep ice over the ice dispensing chute. Ice will continue to discharge out this chute as long as the rotor is turning. It stops when the rotor stops.

If the user does not remove the container from in front of the sensor or does not release the button, the machine will stop dispensing ice after 24 seconds.

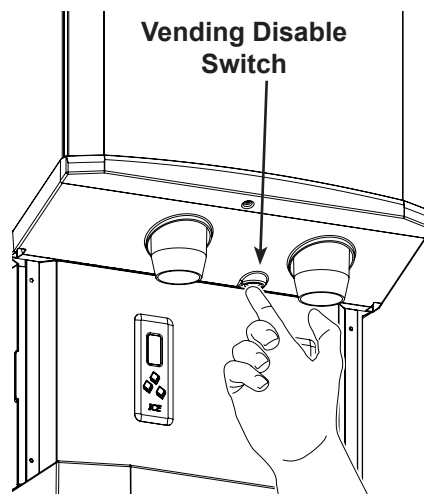
If the container is in front of the Touch-Free sensor on the right side or the water button is pressed, the inlet water valve will open and water will flow into the container.

If the user does not remove the container from in front of the sensor or does not release the button, the machine will stop dispensing water after 20 seconds.

Note: Water may dispense cloudy and then clear up in the glass. That is normal due to air in the water and is not an indicator of any malfunction.

Other notes:

- An occasional drip may be seen from the ice dispense chute. This is normal and is from ice melting inside the chute. A continuous stream of water from the ice chute indicates a restricted bin drain.
- Clear containers (glass or plastic) may not always activate the dispense sensors. In these cases, reposition your hand to activate the sensor.
- The drip tray is not a sink and cannot tolerate garbage. Coffee and soda should not be discarded into it. Debris like stirring straws that are discarded into the drip tray will likely cause a drain back up and need to be removed as soon as they are found. To minimize the risk of a clogged drain do not allow anything other than water to go down the drain.
- Both dispensing and ice making are disabled when the unit is switched off at the controller.



- Splash panel wipe-off. Wiping the splash panel could result in unintended dispensing. To avoid that, a disable button has been provided. It is recessed into the bottom of the chute panel. Push and release it to disable dispensing for 60 seconds.

Noise

This is a commercial ice machine. It contains a powerful compressor, heavy duty gear reducer and, if air cooled, a fan that moves a lot of air. It will produce some noise when it is making ice. Every effort was made during its design to minimize the sound level but some noise during operation is unavoidable.

HID312X, HID525X and HID540X Installation and User's Manual

Controller

All models use the same control system.

The electronic controller operates the compressor (with fan motor), auger drive motor, dispense drive motor and inlet water solenoid valve. It monitors:

- Reservoir water availability
- Storage bin ice level
- Call for ice dispense
- Call for water dispense
- Refrigeration pressure
- Dispense enable / disable
- Auger motor speed
- Auger motor rotation
- Any installed control options

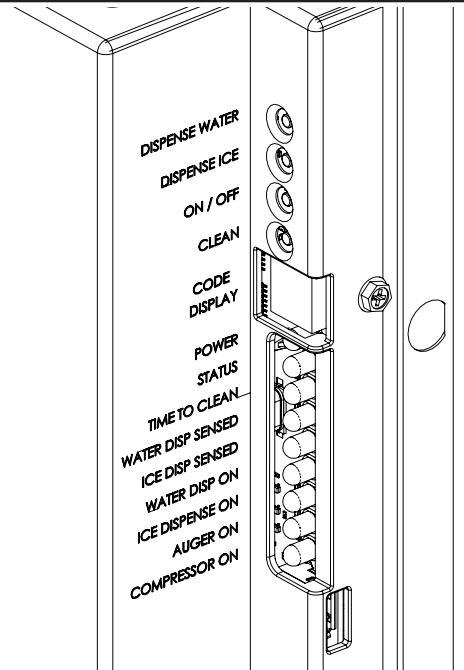
Many of these are used to ensure that the machine does not damage itself during use. For example, it is critical that it not attempt to make ice without water. So if the water sensor is dry, the machine will not make ice.

Switches - there are four switches:

- **Dispense water** - To test water dispensing
- **Dispense ice** - To test ice dispensing
- **ON/OFF** - To switch the machine on or off. Holding it in to shut off will stop ice making immediately.
- **Clean** - To engage the clean mode

Indicators - there are nine LEDs:

- **Power** - Glows when controller has power
- **Status** - Glows when in ice making mode
- **Time to Clean** - Glows when it is time to clean the machine
- **Water Dispense Sensed** - Glows when the water dispense sensor has been triggered or water button pressed*
- **Ice Dispensed Sensed** - Glows when the ice dispense sensor has been triggered or ice button pressed*
- **Water Dispense** - Glows when the inlet water solenoid valve has been powered*
- **Ice Dispense** - Glows when the ice dispense motor has been powered*
- **Auger** - Glows when the auger motor is on
- **Compressor** - Glows when the compressor is on



* If blinking, the water or ice dispensing time limit has been met.

There is also a code display, the codes are:

- D* - - - off
- F* - - - ice making
- b* - - - bin full
- E* - - - controller error
- C* - - - clean mode
- d* - - - test mode
- 1* - - - auger rotation direction wrong
- 2* - - - auger speed too slow
- 3* - - - no water sensed
- 4* - - - high refrigerant pressure

If a number code is triggered, the controller will stop ice making. A blinking code means it is a temporary condition. Example: A blinking *F* occurs during the ice making restart process; it stops blinking when the compressor starts.

The controller will automatically restart from a water interruption or power interruption or when a refrigerant pressure switch has automatically reset.

To reset the control when it has been manually locked out, push and release the ON/OFF button to shut it off and then push and release it again to switch it on.

Note: The compressor will not restart for 2 minutes from the time it was shut off.

HID312X, HID525X and HID540X

Installation and User's Manual

Maintenance and Cleaning

There are five areas of maintenance:

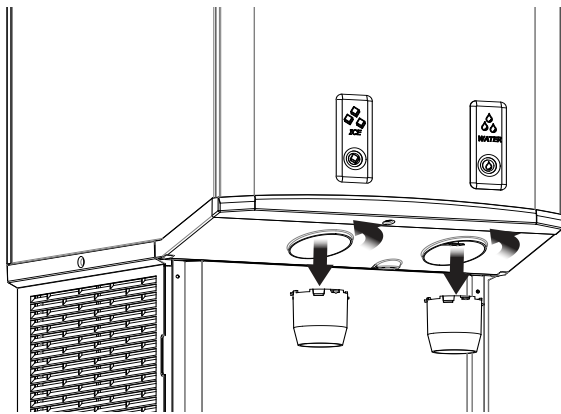
1. Drip tray and drain system
2. Air cooled condenser filter and condenser
3. Ice dispense bin and rotor
4. Photo eye ice level control
5. Ice making water system

Drip Tray

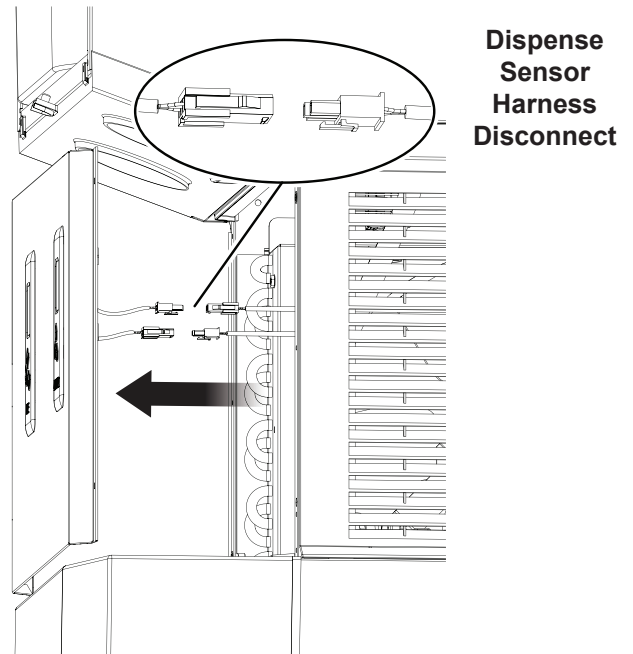
It is important to keep the drip tray clean of trash. Remove any as soon as it is noticed. Pour hot water into the tray on a regular basis to keep the drain open.

Over time the drip tray and cup rest may become coated with scale or dirt. It can be removed to be scrubbed at a wash sink.

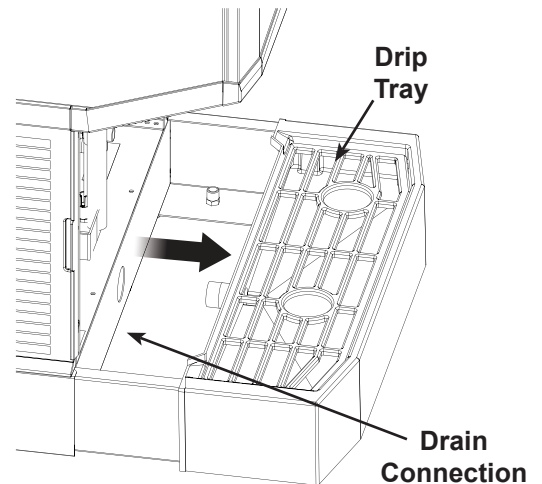
1. Remove upper front panel. On button activated dispensing models, rest the panel on the drip tray and unplug button connector to fully remove panel.
2. Shut the machine off.
3. Twist dispense chutes clockwise and pull down to remove.



4. Remove screws holding lower front panel to unit. On Touch-Free dispensing models, unplug lower panel sensors at the harness connection. Set panels aside.



5. Pull the sink forward to disconnect it from the drain. Plug the drain fitting with a cloth to keep it from leaking while the drip tray is being cleaned.



6. Wash out the drip tray and dispense chutes. Use ice machine scale remover if needed to dissolve scale.
7. Reverse to reassemble. Be sure drip tray is pushed back fully into place. Insert chutes and rotate CCW until they snap into place and stop.

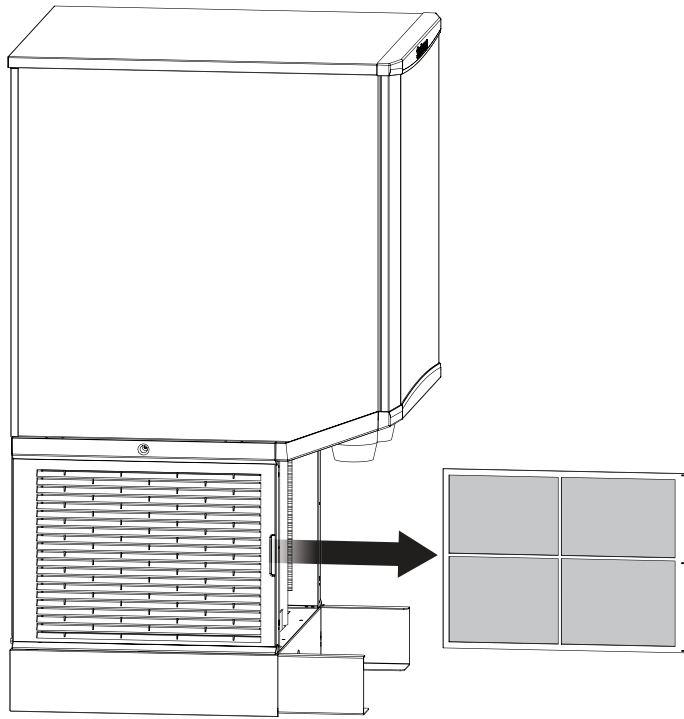
HID312X, HID525X and HID540X Installation and User's Manual

Air Filter

The air filter on the left side of the cabinet will capture significant dust and lint during operation. As the dirt builds up, it begins to restrict air flow and causes the refrigeration system to work longer to make ice. Clean the air filter regularly.

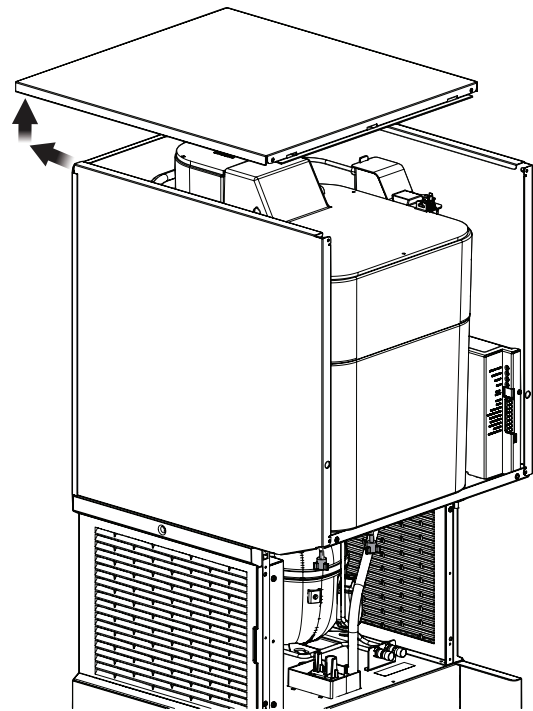
To remove the air filter, pull it forward from the louvers. Do not leave it out for extended periods of time.

To clean, wash it at a utility sink. Return it to the unit when clean.

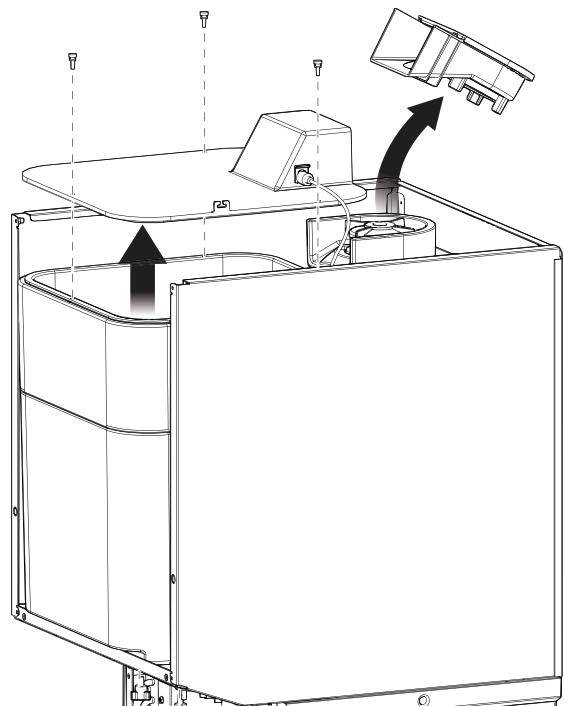


Condenser.

The condenser fins may need cleaning too. Remove the left side air grill and brush any lint and dirt off the surface of the condenser. Vacuum any remaining dirt. Do not damage the fins of the condenser during cleaning.



Remove Top Panel



Remove Bin Cover and Ice Delivery Chute

HID312X, HID525X and HID540X Installation and User's Manual

Maintenance and Cleaning - Dispensing Bin Components

The ice storage bin and rotor must be cleaned and sanitized on a regular basis (at least as often as the ice making system is cleaned). Hand tools and hand protection (like rubber gloves) are recommended for this procedure.


Note: Some steps overlap with the procedure on the next page. This procedure can be independent of the ice making system cleaning or can be part of it.

Bin Cleaning Procedure

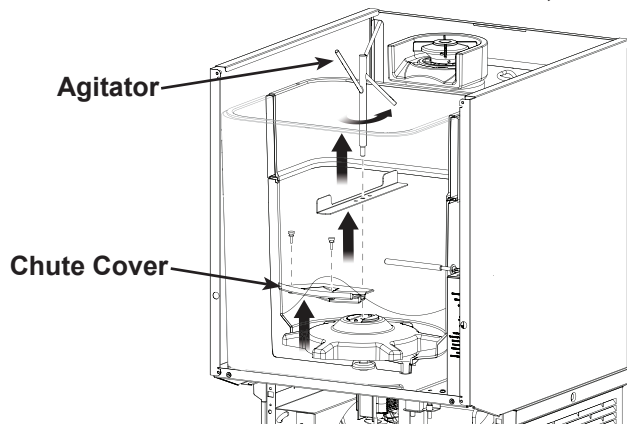
1. Remove upper front panel. On button activated dispensing models, rest the panel on the drip tray and unplug button connector to fully remove panel.
2. Remove top panel.
3. Shut machine off.
4. Vend or melt out all ice.

Note: Only add 16 oz water to the bin at a time, as excess water will drain out the spout.

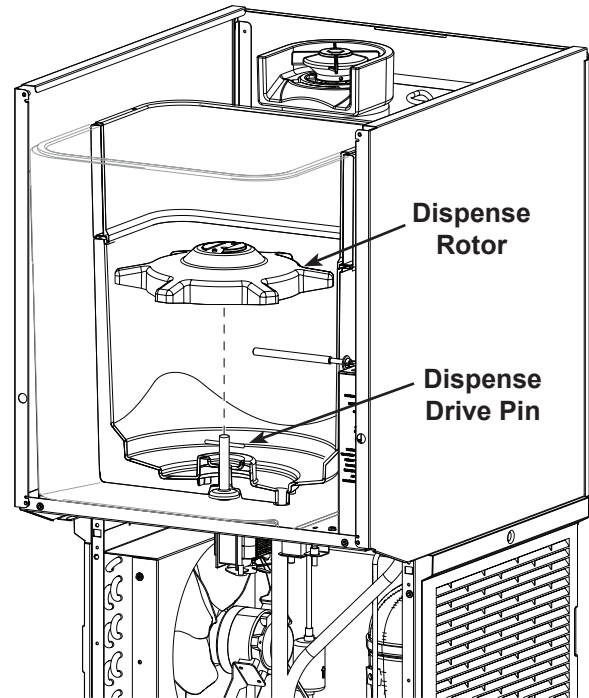
5. Disconnect ice level control at harness.

CAUTION	
Moving parts hazard. Risk of personal injury. Disconnect electrical power before proceeding.	

6. Unplug or disconnect unit from electrical power.
7. Remove ice storage bin cover, set aside.
8. Remove agitator (rotate CCW), set aside.
9. Remove 2 thumbscrews & chute cover, set aside.



10. Lift up and remove dispense rotor, set aside.



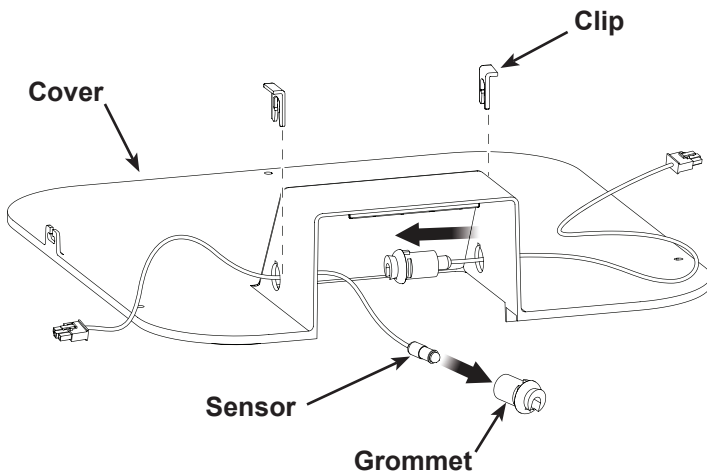
11. Mix a solution of ice machine scale remover, such as Scotsman Clear 1 and potable water per the directions supplied with the scale remover.
12. Use a clean cloth and wash all the interior surfaces of the bin and the bin cover, agitator bar, chute cover and dispense rotor with the ice machine scale remover solution. Rinse with clear water.
13. Mix a 2 gallon solution of locally approved sanitizer. A possible sanitizer solution is one packet of Stera Sheen Green Label and 2 gallons of warm (95° to 105°F.) potable water.
14. Use a new clean cloth and wipe all the interior surfaces of the bin and the bin cover, agitator bar, chute cover and dispense rotor with the sanitizer solution.
15. Return all parts to their original positions and secure them with their original fasteners.
16. Reconnect electrical power and restart the machine.

HID312X, HID525X and HID540X Installation and User's Manual

Ice Level Controls

Clean if the controller indicates bin full and there is no ice between the sensors.

1. Remove upper front and top panels.
2. Shut machine off.
3. Disconnect ice level controls at connector.
4. Remove 3 screws and ice storage bin cover.
5. Pull each sensor grommet clip up and off.



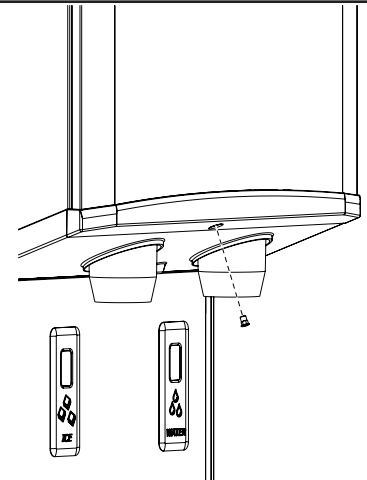
6. Push grommets out of bin top.
7. Pull each sensor out of its rubber grommet. Pull on the part of the sensor closest to the grommet, not the wire.
8. Wipe the sensor lenses clean with a soft, clean cloth. Caution - do not scratch the lens. If there is mineral scale on the lens, ice machine scale remover will be needed to wipe them clean.
9. Return each sensor to a grommet, push it in until it snaps into place.
10. Reverse the rest of the steps to reassemble.

Dispensing Bin

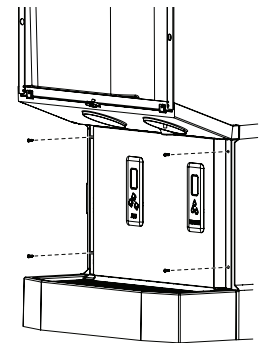
The dispensing bin may be removed for cleaning or to provide service access to other components.

1. Go thru steps 1 thru 10 of the Bin Cleaning Procedure above.
2. Remove ice sweep.
3. Remove ice delivery chute and chute cover.
4. Remove dispense motor drive pin.
5. Twist and remove the water and ice dispense chutes.

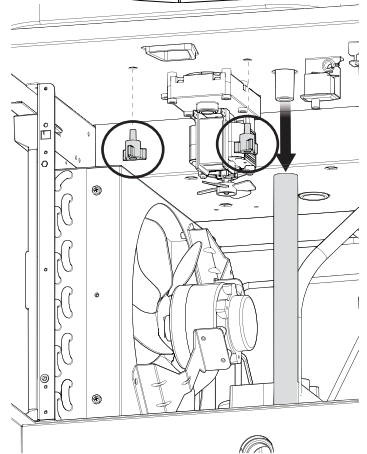
6. Remove the chute mounting panel.



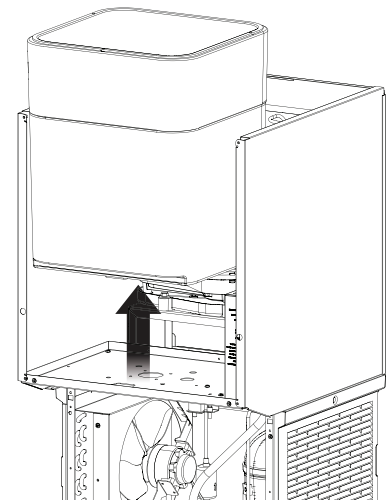
7. Remove splash panel. On Touch-Free dispensing models, disconnect sensors from harness and set panel aside.



8. Locate two 3 prong knob bolts under the bin. Remove them.
9. Locate bin drain and disconnect it from bin fitting.



10. Lift the bin up and off the chassis. Clean as needed.



HID312X, HID525X and HID540X Installation and User's Manual

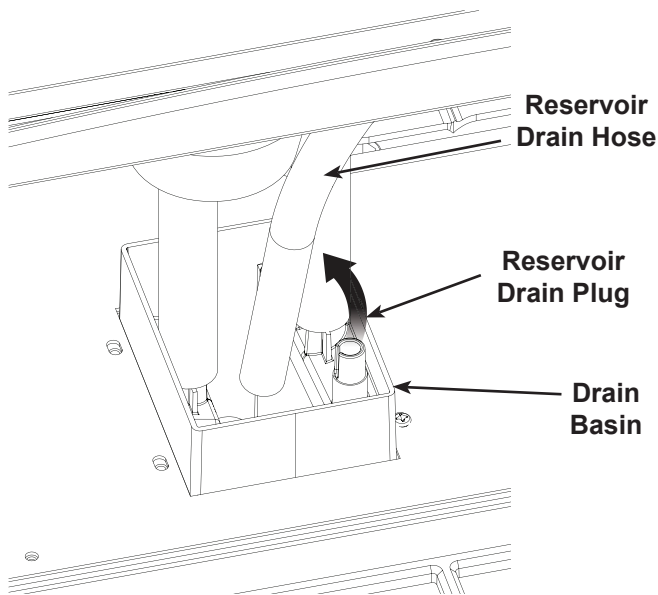
Ice Making and Ice Dispensing System Cleaning Instructions

Hand tools, cleaning supplies and hand protection are recommended for this procedure.

Frequency: Recommended minimum time between cleanings is 6 months. To aid in determining if the machine has not been cleaned in 6 months, a Time To Clean light will glow after 6 months of power up time. Cleaning the machine with the following process will reset that light and the timer that controls it. More frequent cleanings may be required based on the mineral content of the water, run time and potential airborne contamination.

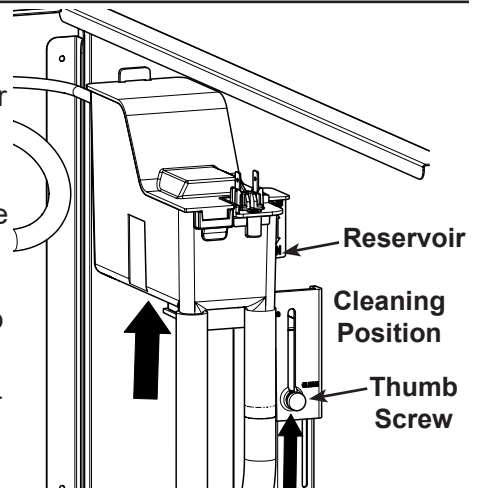
1. Remove both front panels, disconnecting sensors or buttons where required.
2. Push ON/OFF button to shut ice making off.
3. Shut water supply off.
4. Drain water from ice making system by pulling reservoir drain hose from plug at drain basin and return to plug when drained.

Note: Drain into drain basin in base of unit. Sink must be attached to unit throughout this process.



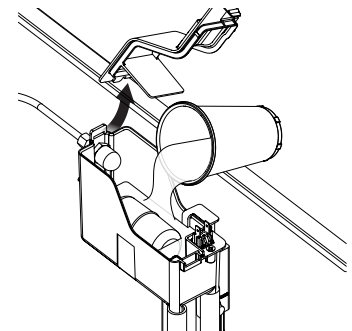
5. Remove reservoir cover and fill with hot (110-120 degree F.) water, wait 2 minutes and drain water from ice making system by pulling reservoir drain hose from plug and return hose to plug when drained.
6. Mix a solution of 12 ounces of Scotsman Clear 1 ice machine scale remover and 12 ounces of clean, potable water.

7. Loosen thumb screw holding water reservoir to post.
8. Lift water reservoir to the top of the post and re-secure with the thumb screw.
9. Remove cover from water reservoir.



10. Vend all ice from dispenser.
11. Remove dispense bin cover.
12. Remove ice discharge chute cover from top of ice making system.
13. Pour cleaning solution into reservoir.

Caution: Solution is highly acidic. Use rubber gloves and **DO NOT SPILL.**



	CAUTION	Scotsman Ice Machine Cleaner contains acids. These compounds may cause burns.
		If swallowed, DO NOT induce vomiting. Give large amounts of water or milk. Call Physician immediately. In case of external contact, flush with water. KEEP OUT OF THE REACH OF CHILDREN

	CAUTION	
	Moving parts hazard. Risk of personal injury. Disconnect electrical power before proceeding.	

HID312X, HID525X and HID540X Installation and User's Manual

14. Push the Clean button. The unit will operate the auger motor for 30 minutes and then stop.

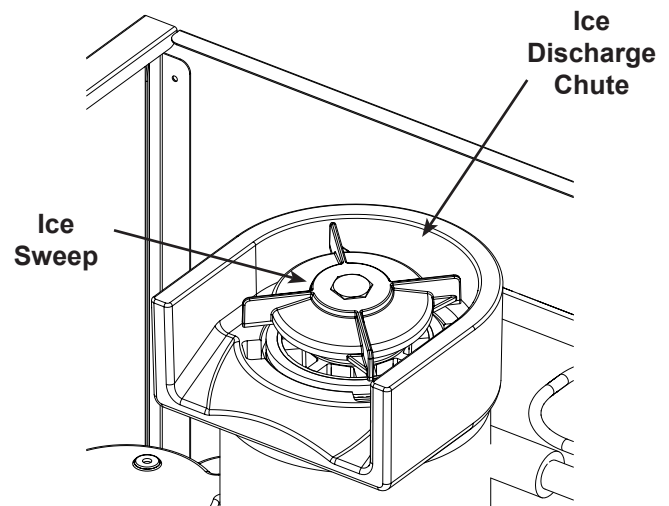
Note: Stop at any time by pushing the ON/OFF button.

15. Disconnect unit from electrical power.
16. Drain the scale remover solution from the water system by pulling the reservoir drain hose from its plug. Return it to the plug when drained.
17. Pour 24 ounces of clean, potable water into the reservoir.
18. Drain the water from the water system by pulling the reservoir drain hose from its plug and return it to the plug when drained.
19. Mix a solution of 4 ounces of ice machine scale remover and 16 ounces of potable water. Use this scale remover solution to wash out the water reservoir cover, ice discharge chute, ice chute cover, ice delivery chute, storage bin cover and inside of the ice storage bin. Also wash the sink, drip tray, grill, **Drain Basin and Manifold** with this solution. Pour half down the bin drain and the rest into the sink / drip tray to flush out their drains and **Drain Basin**.

Sanitize now.

20. Create a solution of sanitizer by mixing 2 gallons (8 liters) of clean warm potable water (105°-115° F) with one 2 oz packet of SteraSheen Green Label.
21. Pour the sanitizer solution into the reservoir until it is full (level with the molded line on the side).
22. Reconnect electrical power.
23. Push the ON/OFF button to make ice for 10 minutes. Add more sanitizer to the reservoir to keep it full while making ice.
24. Push the ON/OFF button to stop making ice.
25. Disconnect electrical power.
26. Remove the ice outlet cover, dispense rotor and ice dispenser agitator from the bin. Wash them with the sanitizer solution.
27. Wash all inside surfaces of the ice storage bin and ice discharge chute with the sanitizer solution.
28. Wash the ice discharge chute cover, ice sweep, metal area below the ice sweep and ice dispense chute with the sanitizer solution.

29. Wash the sink, drip tray, grill, **Drain Basin and Manifold** with the sanitizer solution. Pour remaining sanitizer into the bin and sink. Do not overfill bin.
30. Drain sanitizer from ice making system by pulling reservoir drain hose from plug and return hose to plug when drained.
31. Loosen thumb screw holding water reservoir to post and lower the water reservoir to the top of the slot, retighten thumb screw.
32. Return the chute cover, dispense rotor and agitator to the inside of the storage bin. Secure with the original fasteners.
33. Return the ice dispense chute and water reservoir cover to their original positions and secure them with their original fasteners.
34. Reconnect water and electrical power to the machine.
35. Push the ON/OFF button to restart ice making.
36. Operate machine for 5 minutes and then push the ON/OFF button to stop ice making.
37. Pour 16 oz of warm (95° to 105°F.) potable water into the bin. Repeat until the ice has been melted.
38. Return the dispense bin cover to the machine and secure with the original screws.
39. Push the ON/OFF button to resume ice making.
40. Return all panels to their normal positions and secure with the original screws.



HID312X, HID525X and HID540X Installation and User's Manual

Other Maintenance

Upper Bearing and Water Seal Inspection

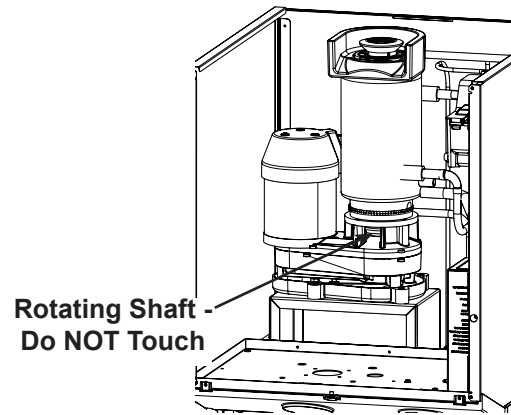
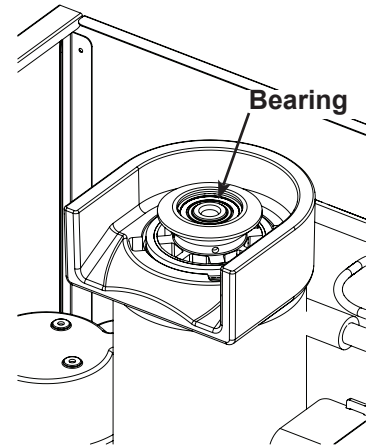
The auger in the ice making system is centered by bearings at the top and bottom. It is also sealed from leaking by a water seal at the bottom. The upper bearing and water seal should be checked at least twice a year.

The bearings are permanently lubricated and need no maintenance. They can be visually checked for obvious wear or damage but there is no need to add lubrication.

Auger motor bearings and the gear reducer are also permanently lubricated and need no maintenance.

The bottom of the ice making system should be checked for water leaks. Water draining from the bottom is an indication of a water seal leak. Immediate repair is required when a water seal leak is discovered.

Caution: Moving parts hazard. Do not touch the rotating shaft at any time.



HID312X, HID525X and HID540X Installation and User's Manual

Basic Troubleshooting

See the separate HIDX service manual for more advanced troubleshooting information.

Symptom	Possible Cause	Probable Correction
No ice is dispensed	No ice in bin	Unit in Off mode. Remove upper front panel. Check controller code, push ON/OFF button to restart.
		No water to unit. Controller shows code 3. Restore water supply.
		No power to unit, power light on controller is off. Restore power.
		High pressure control opened. Controller shows code 4, water interrupted to water cooled model. Restore water and reset controller.
		Ice level control sensing full bin falsely. Controller shows 5. Clean ice level control sensors.
No water is dispensed	Dispense motor not turning	Remove upper front panel, check controller indicator lights. Hold container in front of sensor or push ice button, does the Ice Dispense Sensed light glow? If no, sensor is not detecting the container or button is not operating. If yes, does the Ice Dispense light glow? If yes, push Dispense Ice button on controller. Does the motor activate? If yes, go to next row. If no, check for voltage at motor. If no voltage, replace controller. If voltage at motor, replace motor.
	Dispense motor working, but ice in bin not moving	Agitator or rotor not turning, remove all ice and inspect for damage to agitator and rotor.
No water is dispensed	No water to unit	Restore water
	Water valve not opening	Remove upper front panel, check controller indicator lights. Hold container in front of sensor or push water button, does the Water Dispense Sensed light glow? If no, sensor is not detecting the container or button is not operating. If yes, does the Water Dispense light glow? If yes, push Dispense Water button on controller. Does the water valve activate? If no, check for voltage at valve. If no voltage, replace controller. If voltage at valve, replace valve.
Water drips from spout	May be normal	A few drops per minute is normal
	Bin drain may be plugged	Check bin drain tube at basin
Dispensed water is cloudy, but clears up in a few minutes	Air in the water	This is normal and can vary depending upon how much air is in the water. May be improved by lowering water pressure to the unit.
Water stream is not uniform or splashes excessively when dispensed	Aerator is not installed	Machines manufactured in 2020 or earlier do not have an aerator that regulates a smooth stream and cuts down on splashing. Conversion kit 16-1246-21 installs easily and is compatible with all HIDX models.
	Aerator is clogged	Machines manufactured in 2021 or later include an aerator. The aerator may become clogged and should be replaced. Service kit 16-1246-22 includes a replacement aerator and required key tool.

HID312X, HID525X and HID540X

Installation and User's Manual

Controller Diagnostics

Code or Light Action	Probable Cause	Suggested Action
<i>0</i>	Unit manually switched off	If desired, switch unit on
<i>F</i>	Freeze mode	None, unit is making ice
<i>b</i>	Bin sensors sense bin full	Check if bin is full
<i>E</i>	Corrupted memory	Replace controller
<i>C</i>	Clean mode	Continue clean mode
<i>d</i>	Test mode	None, allow unit to finish test mode
<i>i</i>	Auger motor rotated auger backwards	Replace auger motor. Check water seal area for leaks, replace seal if leaking.
<i>2</i>	Auger motor stalled or operating slowly	Clean ice making system and retry
<i>3</i>	No water in reservoir	Restore water. If there is water, is it too pure? Are sensor wires connected?
<i>4</i>	High pressure cut out open	Check fan motor on air cooled or water supply on water cooled
Water dispense sensed light blinking	Container positioned in front of water dispense sensor or button pressed for more than 24 seconds	Normal, controller has a time limit for dispensing. Remove container.
Water dispense light blinking		
Ice dispense sensed light blinking		
Ice dispense light blinking		
Ice dispense light blinking	Container positioned in front of ice dispense sensor or button pressed for more than 20 seconds	
Status light is on	Unit is in ice making mode	Normal, may not be making ice if bin is full
Time to Clean light is on	Unit has not been cleaned for at least 6 months	Clean unit
Water Dispensed Sensed light is on	A container is in front of the sensor or the water button is pressed	Normal during water dispensing
Ice Dispensed Sensed light is on	A container is in front of the sensor or the ice button is pressed	Normal during ice dispensing
Water Dispense light is on	Water solenoid has been activated	Normal during water dispensing
Ice Dispense light is on	Bin drive motor has been activated	Normal during ice dispensing
Auger light is on	Auger motor is active	Normal when making ice
Compressor light is on	Compressor is active	Normal when making ice

HID312X, HID525X and HID540X

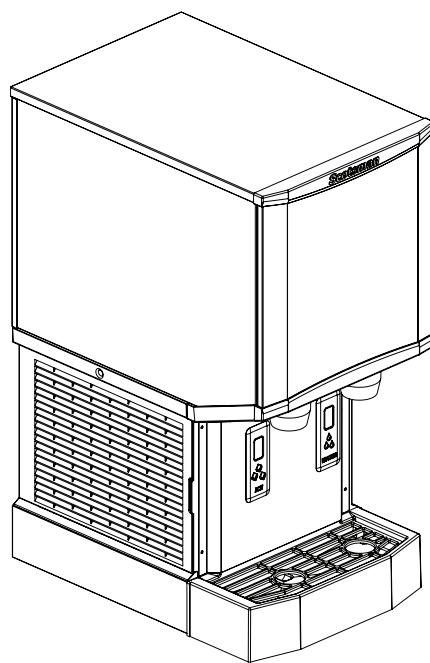
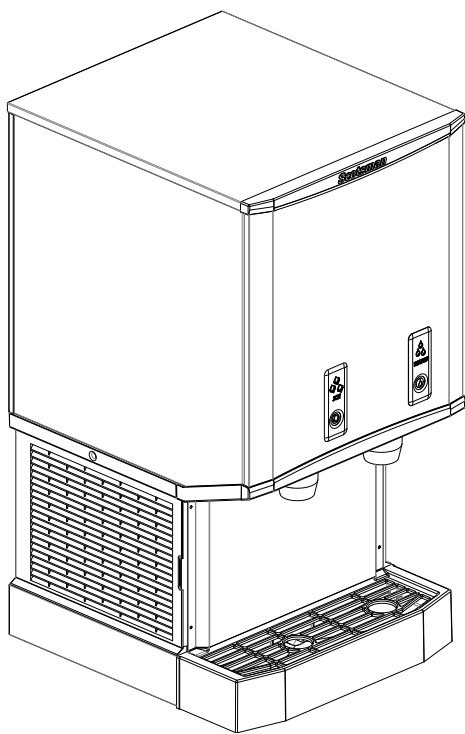
Installation and User's Manual

Decommissioning

Only qualified technicians familiar with R290 refrigerant should decommission a machine, as special tools and containers are required for the removal, transportation, and disposal of this highly flammable substance.

- Before attempting the procedure:
 - * Ensure that all protective gear is present and used throughout the procedure.
 - * Make sure recovery equipment and containers are available and ready for use. All containers used for recovery must be rated for R290 refrigerant and must be labeled as such.
 - * Weigh any refrigerant prior to reclaiming.
- Maintain safety through standard operating procedures as outlined on page 20 of this document. Be sure to follow local, state, and federal guidelines for proper disposal.
- Do not fill containers more than 80% and do not exceed the pressure limits of the container. Make sure the machine to be decommissioned is in satisfactory working order and that the electrical components of the machine are properly sealed to prevent ignition.
- Recovered refrigerant should not be charged into another refrigerating system or mixed in another container.
- Make sure to safely transport the refrigerant in line with standard operating procedures.
- All recovered refrigerant must be returned to refrigerant supplier for proper disposal.
- If compressor or compressor oils are removed ensure it has been removed to an acceptable level so the flammable refrigerant does not remain in the lubricant.

Manuel d'installation et d'utilisation
pour le modèle de machine à glaçons
et distributeur Meridian
HID312X, HID525X et HID540X











HID312X, HID525X et HID540X

Manuel d'installation et d'utilisation

Informations concernant la sécurité

 AVERTISSEMENT	
<p>Le réfrigérant R290 est inflammable.</p> <p>Les flammes peuvent provoquer des brûlures ou des dommages matériels</p> <p>Tenir à l'écart des sources d'incendie</p>	

Informations importantes concernant la sécurité. Assurez-vous de lire l'intégralité du document afin d'éviter des blessures graves, voire la mort.

-  • Cette machine à glaçons contient un réfrigérant **INFLAMMABLE** et présente un risque d'incendie ou d'explosion. N'utilisez pas de cigarettes, de vapoïeuses ni de téléphone portable à proximité des tuyaux ou des câbles car ils pourraient être une source d'inflammation ou d'étincelle.
-  • La machine à glaçons ne doit pas être installée à côté d'un équipement avec une source d'inflammation ouverte (c'est-à-dire des flammes nues, un appareil à gaz en fonctionnement ou un radiateur électrique).
-  • Ne stockez pas de substances explosives telles que des bombes aérosol contenant un gaz propulseur inflammable.
-  • **AVERTISSEMENT** : Afin de minimiser les risques d'inflammabilité, seule une personne dûment qualifiée doit s'occuper d'installer cet appareil.
-  • Prenez des précautions et n'installez pas la machine à glaçons à côté de quoi que ce soit qui vibre continuellement, afin d'éviter les vibrations ou pulsations excessives.
-  • Assurez-vous d'installer la machine à glaçons dans un environnement bien ventilé et assurez-vous que la ventilation et les sorties ne sont pas obstruées.
-  • Fixez correctement les fils et les câbles électriques afin qu'ils ne soient pas soumis à l'usure ni aux vibrations.
- Assurez-vous d'avoir un extincteur à portée de main en cas d'urgence.
-  • **AVERTISSEMENT** : Cancer et dommages au système de reproduction. Visitez le site www.P65Warnings.ca.gov pour obtenir de plus amples informations.
- Faites appel à un technicien recommandé par Scotsman et certifié pour réparer l'équipement R290.
- Utilisez **UNIQUEMENT** des pièces de rechange provenant de l'usine de Scotsman. L'utilisation de pièces non FEO (fabricant d'équipement d'origine) peut être dangereuse en raison des modifications de conception nécessaires pour utiliser le R290 en toute sécurité.

HID312X, HID525X et HID540X

Manuel d'installation et d'utilisation

Introduction

Les machines à glaçons et distributeurs couverts dans ce manuel ont été conçus pour être les meilleurs du marché. Leur conception est le résultat de la longue expérience de Scotsman dans le domaine des machines à glaçons et distributeurs.

Ce manuel comprend les informations nécessaires pour installer, démarrer et faire fonctionner la machine à glaçons. Ce manuel concerne 3 modèles, veuillez donc vous assurer que toutes les instructions s'appliquent à votre machine à glaçons.

Le modèle HID312X mesure 40,64 cm (16 po) de large et est refroidie par air uniquement.

Le modèle HID525X mesure 53,34 cm (21 po) de largeur et 88,64 cm (34,9 po) de hauteur. Il est disponible en modèle refroidi par air ou en modèle refroidi par eau.

Le HID540X mesure également 53,34 cm (21 po) de large, mais mesure 103,88 cm (40,9 po) de hauteur. Il est également disponible refroidi par air ou par eau.

Respectez tous les messages Attention et Avertissement. Ils sont importants et informent de dangers potentiels. Conservez ce manuel afin de pouvoir le consulter ultérieurement.

Pour toute information technique supplémentaire, consultez le site Internet de Scotsman, www.scotsman-ice.com, pour télécharger un manuel d'entretien.

Remarque : Ceci est un produit commercial. Si un dépannage/entretien est nécessaire sur une machine utilisée dans une résidence domestique, faites appel à un réparateur pour machine à usage commercial. Vous pouvez en trouver un sur le site Web indiqué ci-dessus.

Table des matières

Caractéristiques.....	Page 2
Modèles.....	Page 3
Dessin de l'armoire HID312X.....	Page 4
Dessin de l'armoire HID525X.....	Page 5
Dessin de l'armoire HID540X.....	Page 6
Placement.....	Page 7
Installations sur un comptoir.....	Page 8
Supports/pieds de la machine.....	Page 9
Emplacement des composants.....	Page 10
Installation - Plomberie.....	Page 11
Installation - Électricité.....	Page 12
Mise en service initiale.....	Page 13
Fonctionnement : Distribution de glaçons et d'eau.....	Page 14
Commande.....	Page 15
Entretien et nettoyage.....	Page 16
Filtre à air.....	Page 17
Entretien et nettoyage - Composants du bac de distribution.....	Page 18
Contrôle du niveau de glaçons.....	Page 19
Instructions concernant le nettoyage du système de fabrication et de distribution des glaçons.....	Page 20
Autres entretiens.....	Page 22
Résolution des problèmes de base.....	Page 23
Diagnostic de la commande.....	Page 24
Mise hors service.....	Page 25

HID312X, HID525X et HID540X

Manuel d'installation et d'utilisation

Caractéristiques

Cette machine à glaçons et distributeur est conçue pour être installée à l'intérieur, dans un environnement contrôlé. Bien qu'elle puisse fonctionner sur un large intervalle de températures de l'air et de l'eau, elle fournit les meilleurs résultats lorsqu'elle n'est pas sujette à des conditions extrêmes.

Limites de température de l'air

- Maximum : 38 °C ou (100 °F)
- Minimum : 10 °C ou (50 °F)

Limites de température de l'eau

- Maximum : 38 °C ou (100 °F)
- Minimum : 4,4 °C ou (40 °F)

Pression d'eau, potable

- Maximum : 80 PSI ou 5,5 bars
- Minimum : 20 PSI ou 1,3 bar

Pression d'eau, entrée du condenseur

- Maximum : 145 PSI ou 10 bars
- Minimum : 1,3 bar ou 20 psi ; peut être aussi basse que 3 bars ou 5 PSI si l'eau est propre et fournie à 7 °C (45 °F)

Condenseur Gal/mn

- 10 °C (70 °F) eau : 0,95 l/min (0,25 gal/min)
- 10 °C (50 °F) eau : 0,57 l/min ou 0,15 gal/min

Conductivité de l'eau :

- Minimum : 10 microSiemens/cm

Un système d'osmose inverse peut être fourni pour le système d'eau potable, mais si la conductivité est inférieure à la conductivité indiquée ci-dessus, le capteur de niveau d'eau ne détectera pas l'eau et la machine ne produira pas de glaçons.

L'eau désionisée ne permettra pas à la machine de fonctionner et il n'est pas recommandé d'en utiliser.

Tension

- Maximum : 126 Minimum : 104

L'exploitation de la machine en dehors de l'une quelconque de ces limites est considérée comme étant un emploi abusif et tout dommage en résultant n'est pas couvert par la garantie et peut entraîner l'invalidation complète de la garantie.

Garantie

La déclaration de garantie de ce produit est fournie séparément de ce manuel. Veuillez la consulter pour connaître la couverture en vigueur. En général, la garantie couvre les vices de matériau ou de fabrication. Elle ne couvre pas l'entretien, les rectifications d'installations ni les situations où la machine est exploitée dans des conditions dépassant les limites indiquées ci-dessus.

Il s'agit d'un modèle commercial ; si la machine est installée dans une résidence, certaines entreprises d'entretien commerciales pourraient ne pas être en mesure d'effectuer l'entretien sur place.

Enregistrez la garantie ci-jointe et envoyez-la par la poste, ou scannez le code QR pour être dirigé vers le site Internet sur la garantie de Scotsman :



Information sur le produit

Le produit est une machine à glaçons et distributeur. Cette machine est conçue pour être installée sur un plan de travail ou sur un support de machine spécifique.

- Tous les modèles nécessitent une vidange. Un bac de vidange interne sépare la vidange du bac pour le stockage des glaçons de la vidange du bac d'égouttage.
- Un dispositif antirefoulement peut être exigé par le code de plomberie en vigueur.
- La machine est équipée d'un cordon d'alimentation de 2,29 m (7,5 pi) muni d'une fiche NEMA 5-15P.
- Les modèles refroidis par air font circuler l'air de gauche à droite et sont équipés d'un filtre à air qui peut être nettoyé.
- Les pieds sont en option. Dimension du filetage 3/8 po-16 po.
- Des modèles spéciaux sont requis pour le montage mural.
- Deux méthodes de distribution différentes sont disponibles :
 - Les modèles sans contact utilisent des capteurs infrarouges pour déclencher la distribution de glaçons et d'eau.
 - Les modèles avec distribution activée avec un bouton qui déclenchent la distribution des glaçons et de l'eau via des boutons-pression.
- Voir les kits et les options proposés dans la documentation pour la vente.

Les machines de Scotsman Ice Systems sont conçues et fabriquées en accordant la plus haute attention à la sécurité et au fonctionnement. Elles sont conformes ou supérieures aux normes UL60335-2-89 et NSF.

Scotsman décline toute responsabilité concernant les produits fabriqués par Scotsman ayant été modifiés de quelque manière que ce soit, y compris par l'utilisation de toute pièce et/ou d'autres composants non spécifiquement approuvés par Scotsman.

Scotsman se réserve le droit de modifier et/ou d'améliorer la conception à tout moment. Les caractéristiques et la conception peuvent être modifiées sans préavis.

HID312X, HID525X et HID540X

Manuel d'installation et d'utilisation

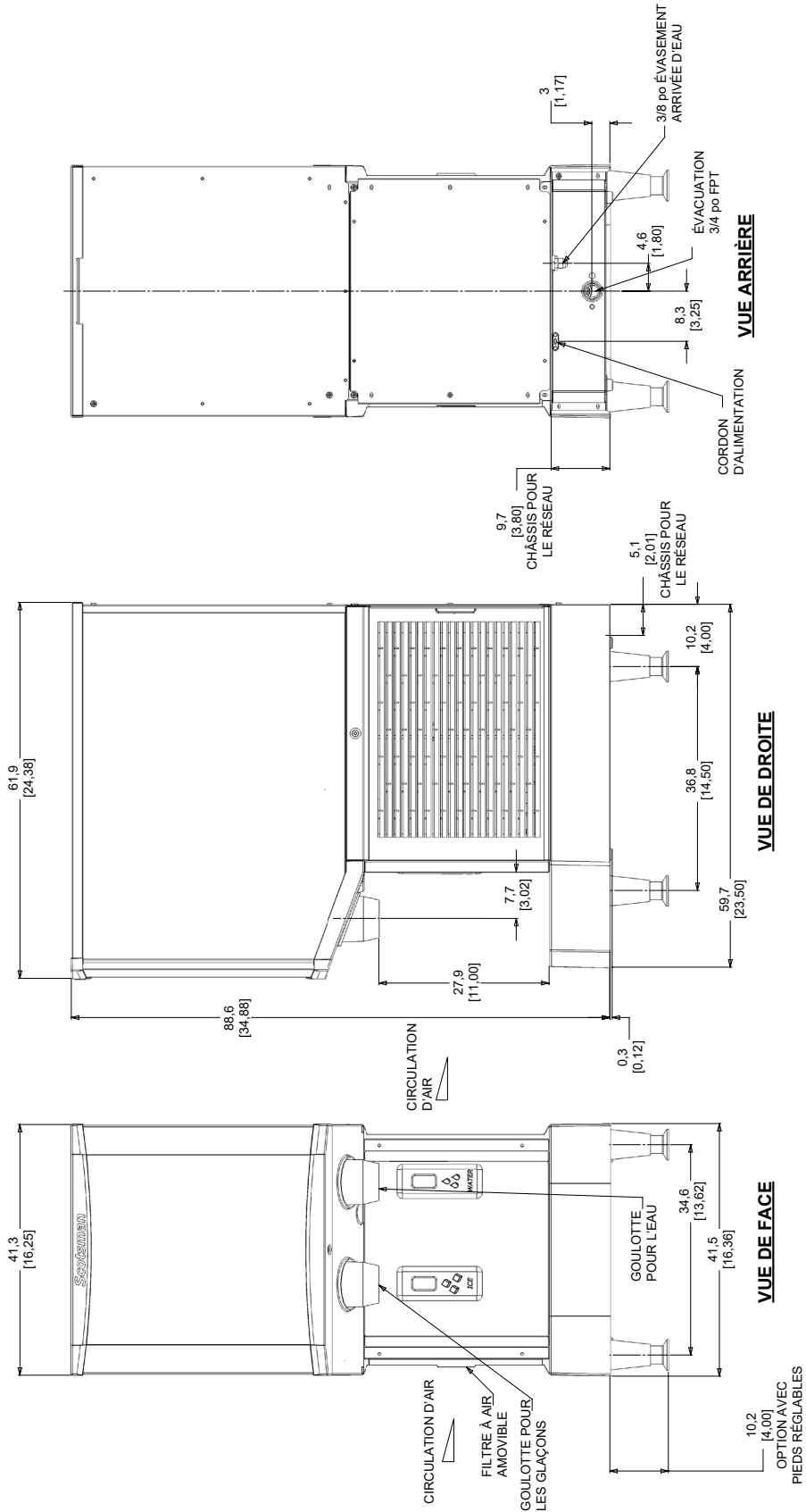
Modèles

Modèle	Série	Type de distribution	Alimentation électrique	Condenseur	Consommation type de courant	Calibre max du fusible
HID312AX-1	A	Sans contact	115/60/1	Air	4,5-5	15
HID312ABX-1	A	Bouton activé	115/60/1	Air	4,5-5	15
HID525AX-1	A	Sans contact	115/60/1	Air	5,8-7	15
HID525WX-1	A	Sans contact	115/60/1	Eau	5,8-7	15
HID525ABX-1	A	Bouton activé	115/60/1	Air	5,8-7	15
HID525WBX-1	A	Bouton activé	115/60/1	Eau	5,8-7	15
HID525AX-32	A	Sans contact	208-230/60/1	Air	3.1-3.3	15
HID540AX-1	A	Sans contact	115/60/1	Air	5,8-7	15
HID540WX-1	A	Sans contact	115/60/1	Eau	5,8-7	15
HID540ABX-1	A	Bouton activé	115/60/1	Air	5,8-7	15
HID540WBX-1	A	Bouton activé	115/60/1	Eau	5,8-7	15

HID312X, HID525X et HID540X

Manuel d'installation et d'utilisation

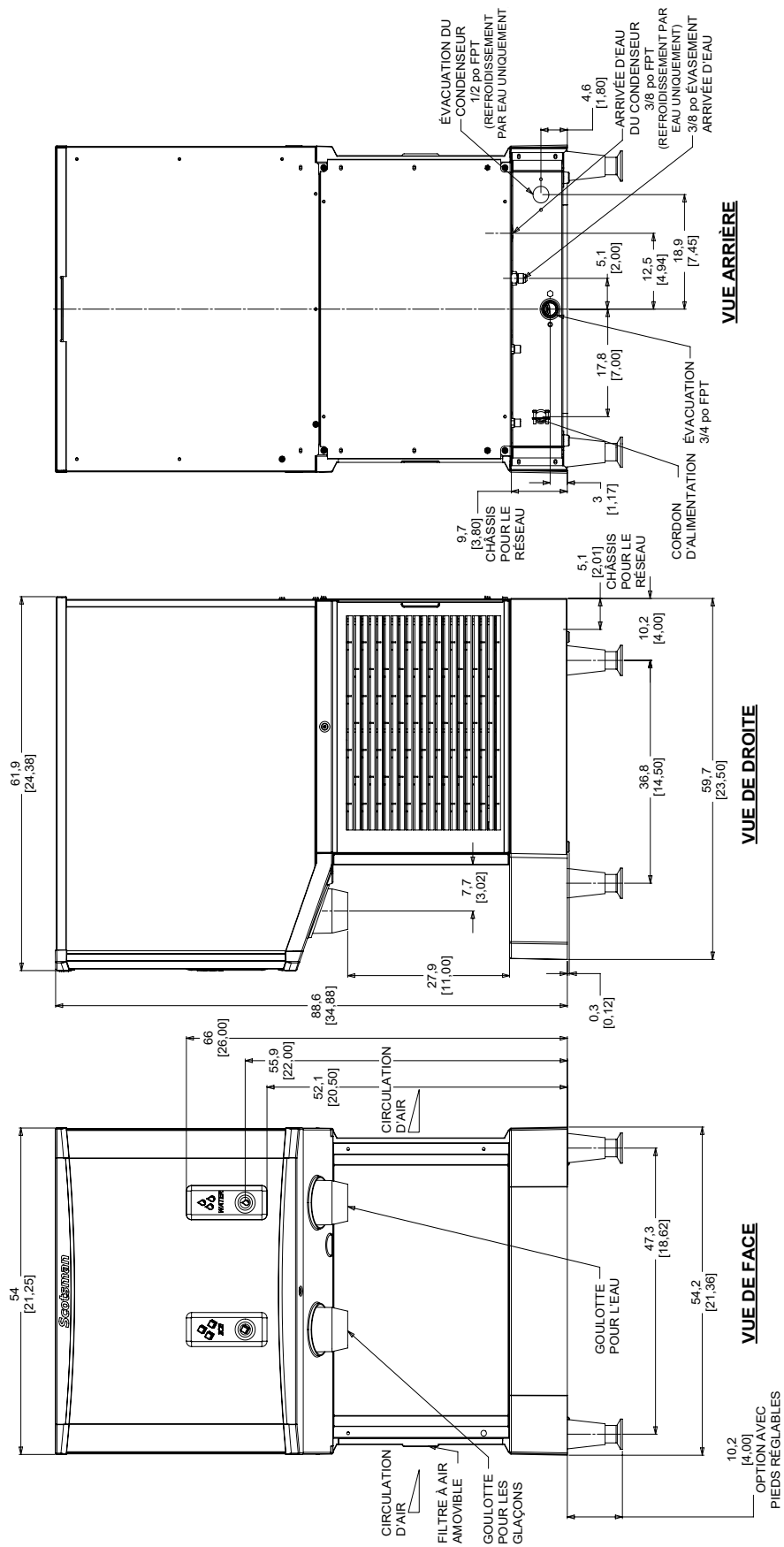
Dessin de l'armoire HID312X



HID312X, HID525X et HID540X

Manuel d'installation et d'utilisation

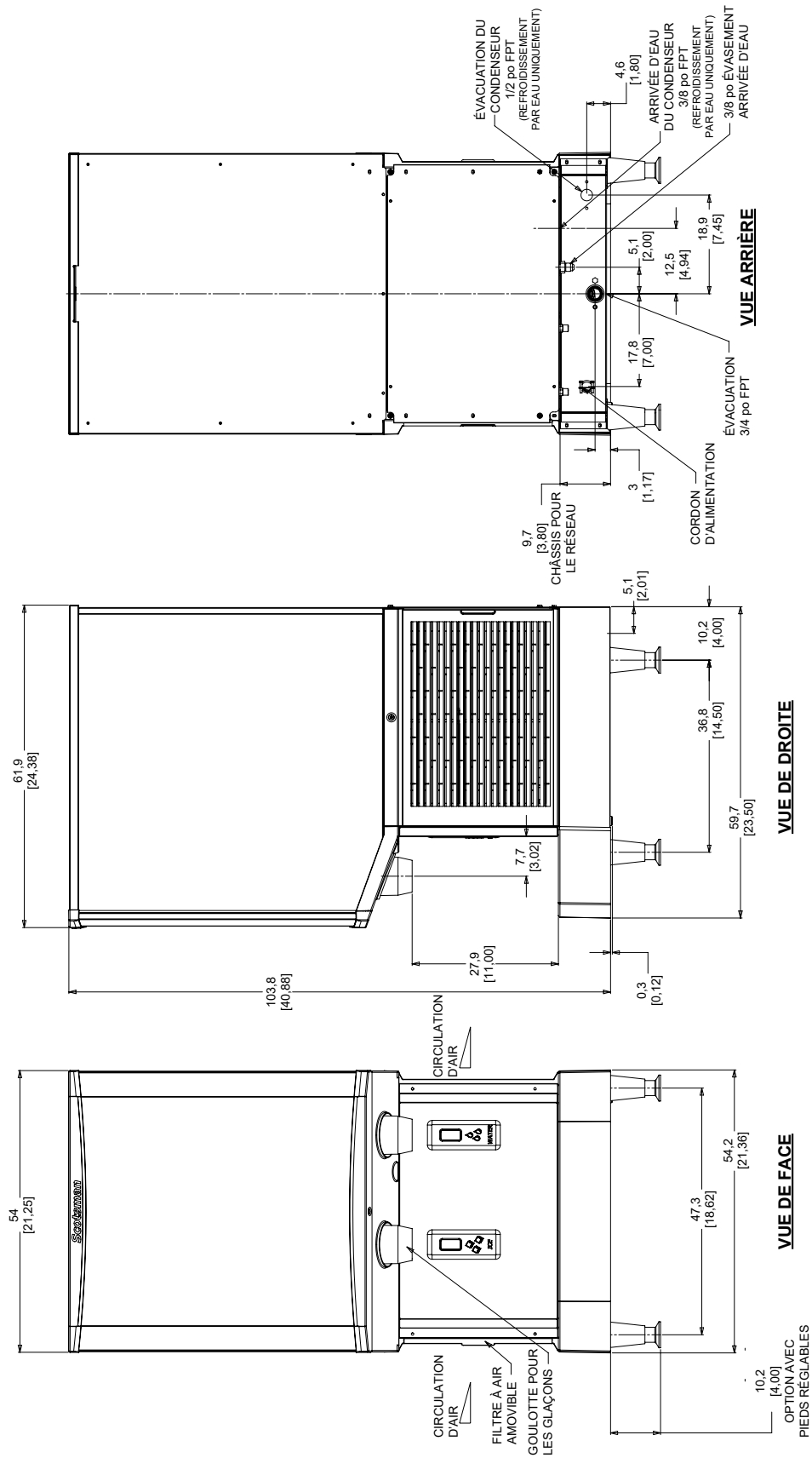
Dessin de l'armoire HID525X



HID312X, HID525X et HID540X

Manuel d'installation et d'utilisation

Dessin de l'armoire HID540X



HID312X, HID525X et HID540X

Manuel d'installation et d'utilisation

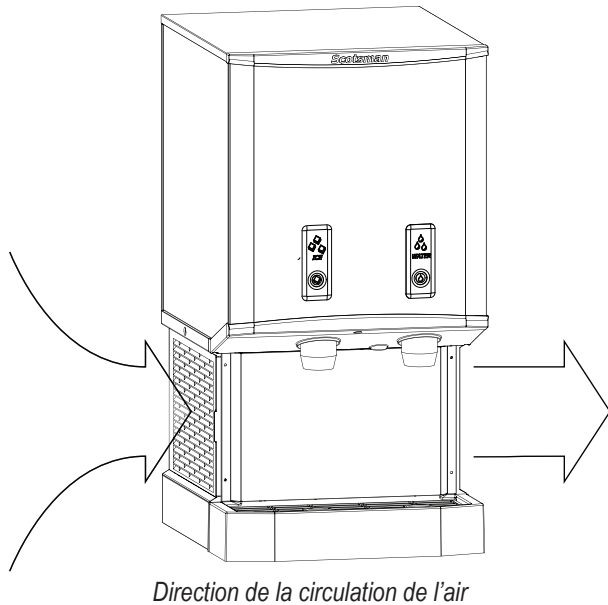
Placement

L'emplacement de la machine doit être choisi avec soin. Veillez à prévoir un espace suffisant sur le côté pour l'aération autour des modèles refroidis par air.

Dégagement minimum pour les modèles refroidis par air :

- 15 cm (6 po) de chaque côté
- 5 cm (2 po) au-dessus, 25,40 cm (10 po) de plus pour permettre le retrait du moteur lorsque le dessus est fixé.
- 15 cm (6 po) à l'arrière.

L'air circule de gauche à droite sur les modèles refroidis par air. Plus d'espace que le minimum requis laissé sur les côtés permettra de maximiser les performances.



Direction de la circulation de l'air

La prise de courant doit être située à portée du cordon d'alimentation fourni. Si la machine est placée sur un comptoir, celui-ci doit être suffisamment solide pour supporter le poids de la machine. L'espace au-dessus de l'armoire doit être prévu pour l'entretien et la maintenance. Si les pieds sont utilisés, prévoir un espace suffisant pour la hauteur totale de l'armoire.

Le placement dans une petite pièce nécessitera une ventilation pour évacuer la chaleur qui est produite par les modèles refroidis par air. Un bruit supplémentaire provenant du ventilateur peut également être produit. Dans les endroits sensibles au bruit, envisagez d'utiliser une machine refroidie par eau ou choisissez un emplacement où le bruit de la fabrication des glaçons ne sera pas gênant.

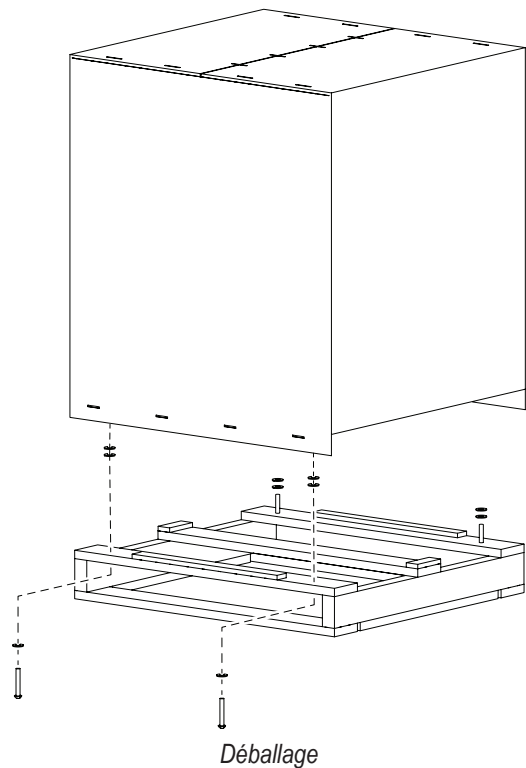
Évitez d'installer les modèles avec distribution sans contact dans des zones ayant des émetteurs infrarouges ou une fenêtre, car la lumière du soleil pourrait atteindre un capteur de distribution. La distribution de la machine pourrait alors être déclenchée sans qu'aucun récipient ne soit présent pour la déclencher.

Utilisation dans une cafétéria.

La machine peut être placée dans une cafétéria pour distribuer des glaçons et de l'eau. Comme certains utilisateurs distribuent parfois trop de glaçons, une utilisation à volume élevé peut nécessiter que le bac d'égouttage soit débarrassé des glaçons renversés.

Déballage

1. Séparez le carton de la palette d'expédition.
2. Retirez toute sangle retenant l'armoire à la palette.
3. Assurez-vous qu'il n'y ait aucun dommage caché lié au transport. Si des dommages sont observés, conservez l'emballage et informez le transporteur en vue d'une éventuelle réclamation. Les dommages liés au transport ne sont pas couverts par la garantie.
4. Retirez les boulons qui maintiennent la machine à la palette. Faites attention à ne pas trop incliner la machine lorsque vous retirez les boulons.



5. Retirez le plastique recouvrant le bac d'égouttage.
6. Retirez le plastique de protection qui couvre les panneaux. Plus le plastique est laissé longtemps sur le panneau et plus il est difficile à détacher.
7. Placez la machine sur le support de la machine ou sur le comptoir. Si la machine est sur un support, fixez l'armoire au support de la machine avec les fixations requises.

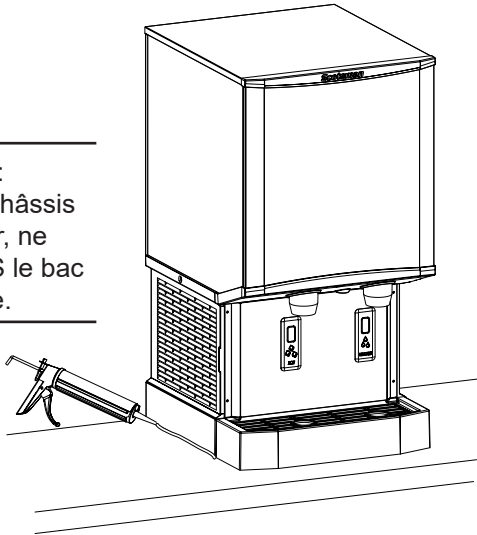
HID312X, HID525X et HID540X

Manuel d'installation et d'utilisation

Installations sur un comptoir

Les machines placées sur un comptoir doivent soit être équipées de pieds, soit être scellées sur le comptoir avec un scellant de qualité alimentaire conformément aux codes locaux en vigueur. Terminez l'installation avant de sceller la machine afin d'éviter de perturber le joint.

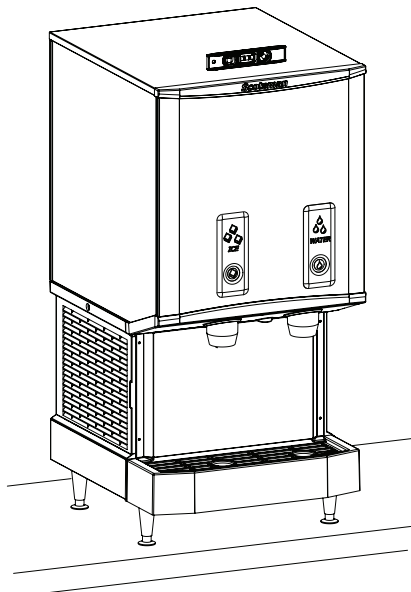
Remarque : Scellez le châssis au comptoir, ne scellez PAS le bac d'égouttage.



Pieds

Les pieds de 10,16 cm (4 po) sont en option pour l'installation de la machine sur un comptoir. Ils ne doivent pas être utilisés sur le distributeur HIDX lorsque celui-ci est placé sur un support de machine.

Remarque : Utilisez uniquement des pieds d'une hauteur minimale de 10,16 cm (4 po).

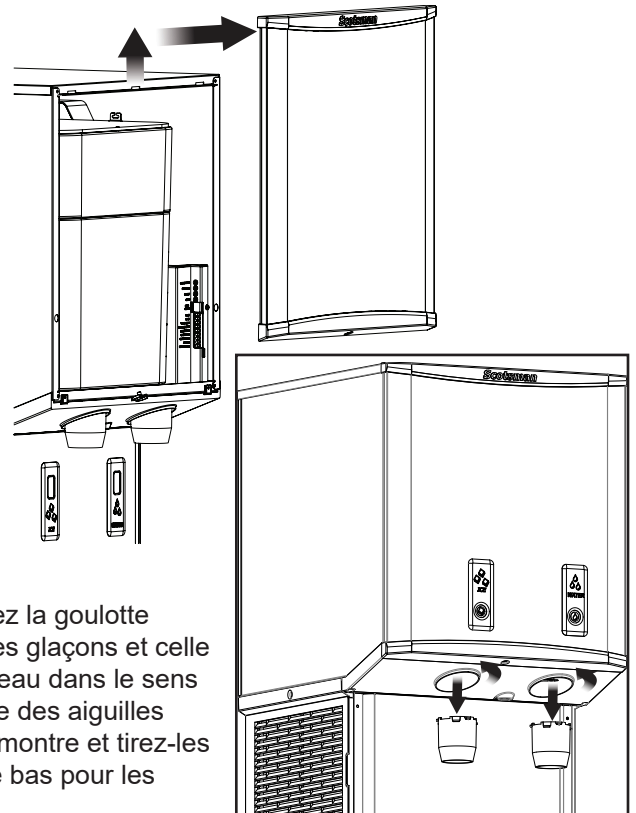


Installation

Le bac d'égouttage et le porte-gobelet sont montés lorsque la machine est livrée. Il n'est pas nécessaire de les fixer ni de les enlever. Il est recommandé de retirer les panneaux avants et de s'assurer qu'aucune pièce ne se soit desserrée et qu'aucune pièce ne frotte sur une partie de la machine, avant de procéder à l'installation de la machine.

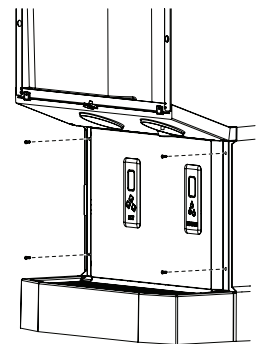
Dépose des panneaux

Retirez une vis en bas à l'avant du panneau avant supérieur, faites pivoter le bas du panneau vers l'avant et soulevez la machine. Sur les modèles avec distribution activée avec un bouton, posez le panneau sur le bac d'égouttage et débranchez le connecteur du bouton pour retirer complètement le panneau.



Tournez la goulotte pour les glaçons et celle pour l'eau dans le sens inverse des aiguilles d'une montre et tirez-les vers le bas pour les retirer.

Retirez les quatre vis situées sur le côté du panneau avant inférieur, tirez légèrement vers l'avant et soulevez la machine. Sur les modèles avec distribution sans contact, posez le panneau sur le bac d'égouttage et débranchez le capteur du connecteur pour retirer complètement le panneau.



Inspection avant de faire fonctionner la machine

Mettez l'armoire de niveau d'avant en arrière et de gauche à droite.

Assurez-vous qu'aucune pièce ne soit desserrée et qu'aucune pièce ne frotte sur une partie de la machine.

Remettez le panneau anti-éclaboussures et les goulottes dans la machine.

HID312X, HID525X et HID540X

Manuel d'installation et d'utilisation

Supports/pieds de la machine

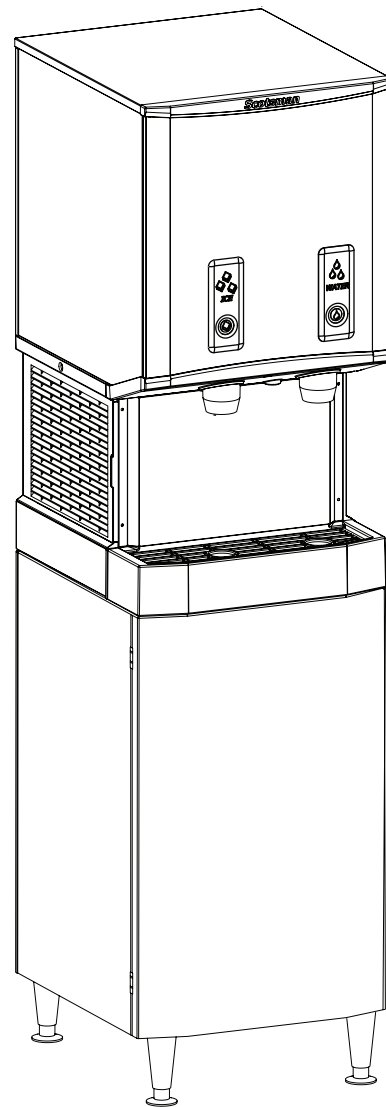
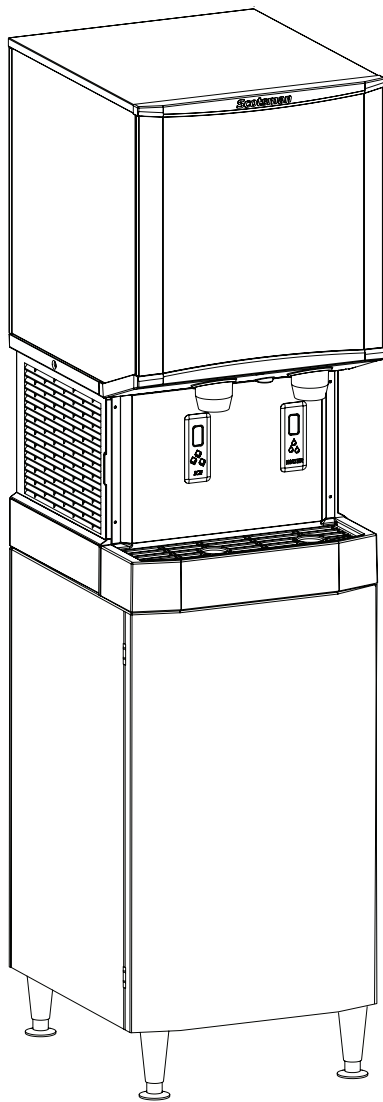
Scotsman fabrique deux supports de machines pour les distributeurs HIDX : un modèle de 40,64 cm (16 po) de large et un modèle de 53,34 cm (21 po) de large. Les supports de machine précédents ne conviennent pas aux modèles HIDX et leur utilisation n'est pas recommandée.

Support pour le modèle HID312X : HST16-A et HST16B-A

Support pour le modèle HID525X : HST21-A et HST21B-A

Support pour le modèle HID540X : HST21-A et HST21B-A

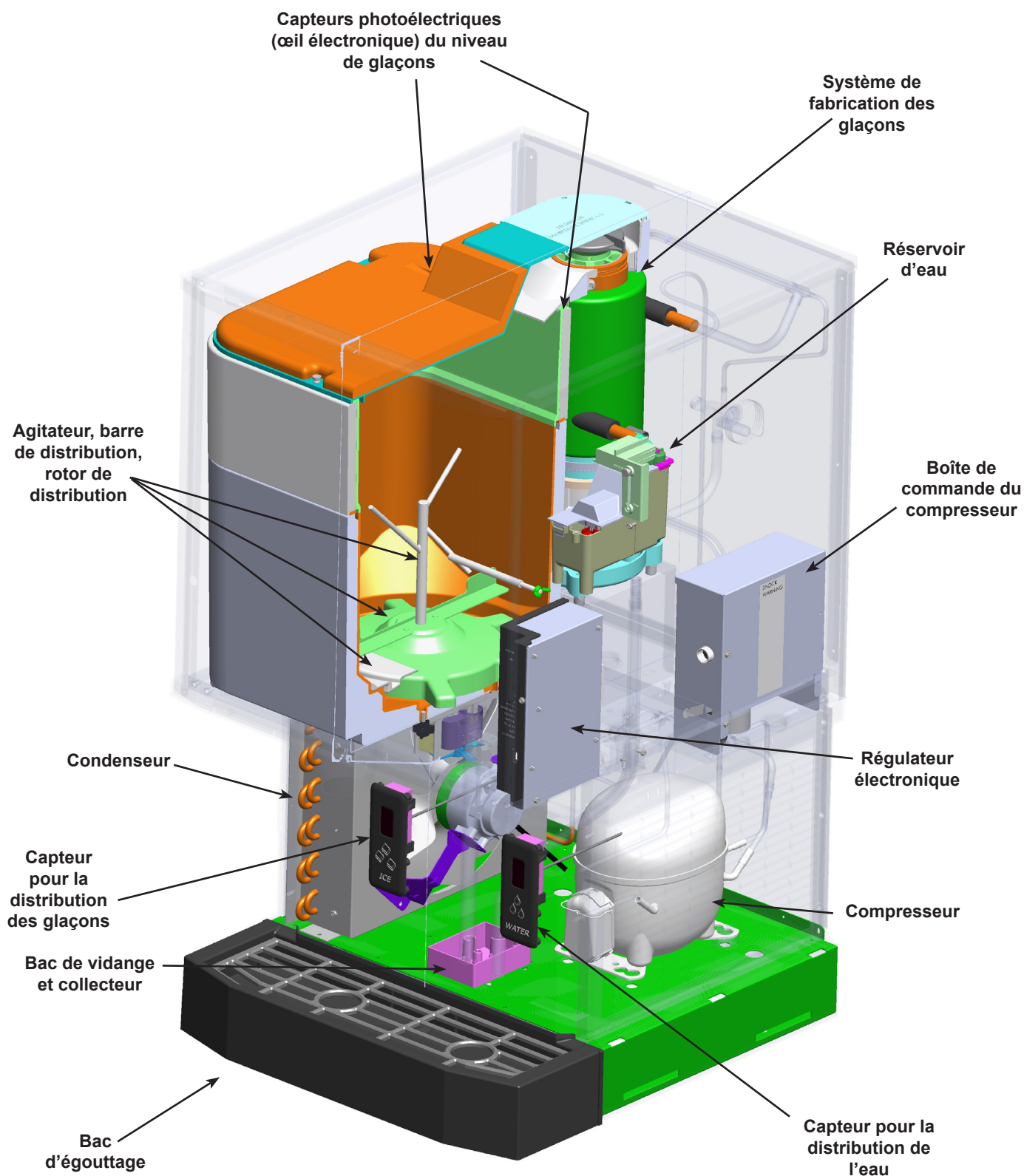
Pieds réglables pour tous les modèles : KLP24A (ensemble de 4) pieds réglables de 10,16 cm (4 po).



HID312X, HID525X et HID540X

Manuel d'installation et d'utilisation

Emplacement des composants



HID312X, HID525X et HID540X

Manuel d'installation et d'utilisation

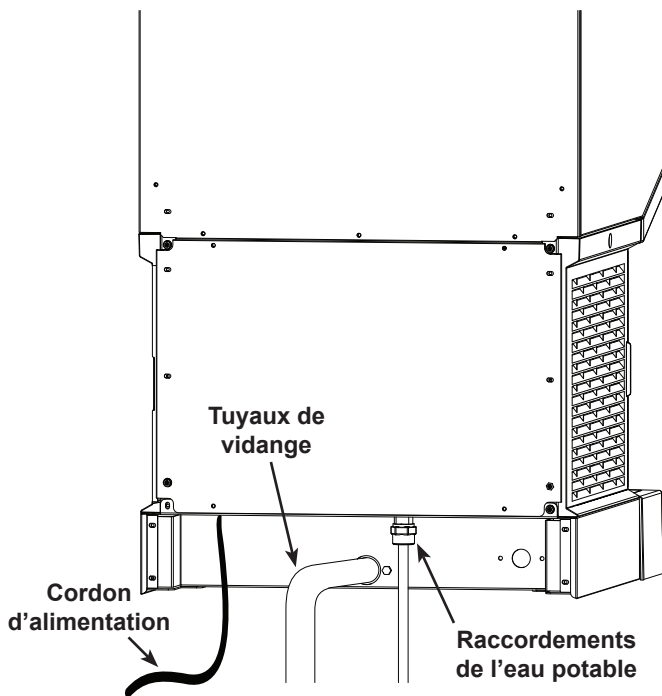
Installation - Plomberie

L'installation doit être effectuée par un installateur de machine à glaçons expérimenté. Appelez le numéro indiqué au verso de ce manuel ou rendez-vous sur le site Web de Scotsman, www.scotsman-ice.com pour trouver un distributeur local ou une société d'entretien.

La machine a besoin d'électricité, d'eau et d'un système de vidange. Localisez le raccord d'alimentation en eau situé au bas de l'arrière de l'armoire et procurez-vous le raccord approprié pour connecter l'alimentation en eau.

Raccords de plomberie :

- Admission d'eau potable : Raccord mâle 3/8 po
- Évacuation de l'armoire : 3/4 po FPT.
- Admission du condenseur refroidi à l'eau : 3/8 po FPT.
- Évacuation du condenseur refroidi à l'eau : 1/2 po FPT



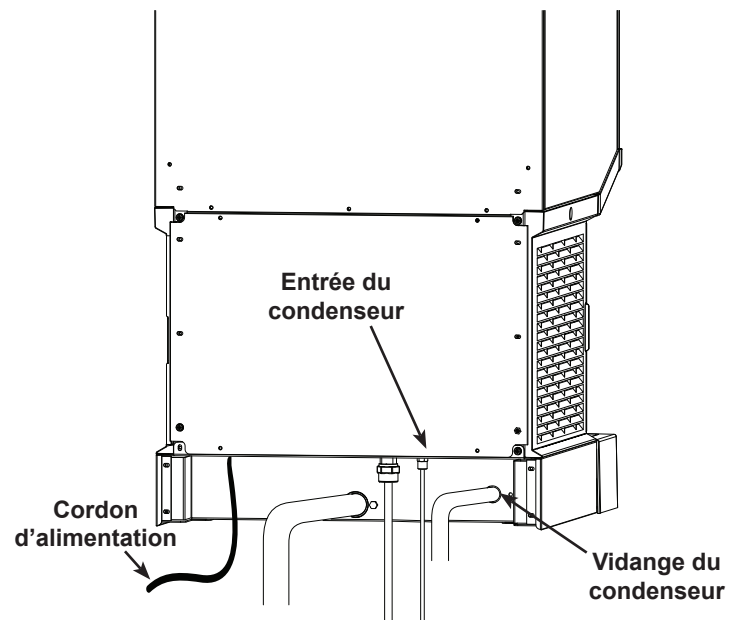
Réseau pour le refroidissement par air

Connectez le tuyau de vidange au raccord de vidange placé au centre, à l'arrière de l'armoire. Utilisez un tuyau de 3/4 po et un matériau conforme aux codes locaux en vigueur. Le bac de vidange de la machine agira comme un évent interne, aucun évent supplémentaire ne devrait être nécessaire à moins qu'il n'y ait un très long parcours horizontal. Le tuyau de vidange doit s'incliner de 0,63 cm (1/4 po) par 0,30 m (1 pi) jusqu'à la vidange du bâtiment. L'isolation des tuyaux de vidange est recommandée dans la plupart des installations.

Modèles à refroidissement à eau :

Connectez l'alimentation en eau ou en liquide de refroidissement (si vous utilisez un système de recirculation) à l'entrée du condenseur.

Connectez l'évacuation (ou le retour s'il s'agit d'un système de recirculation) à l'évacuation du condenseur. Utilisez uniquement des tuyaux rigides. Ne ventilez pas ce tuyau de vidange.



Réseau pour le refroidissement par eau

Tous les modèles :

Connectez l'alimentation en eau potable à l'admission située en bas à l'arrière de la machine. Une conduite de 3/8 po de diamètre extérieur est recommandée. Des filtres à eau peuvent être utilisés mais ne sont pas obligatoires. Notez que les filtres à eau au charbon actif ou au charbon de bois sont utilisés pour les problèmes de goût et d'odeur, mais éliminent également tout chlore que l'agence locale de l'eau aurait pu ajouter pour purifier l'eau. Cela peut nécessiter une désinfection plus fréquente de l'équipement.

HID312X, HID525X et HID540X

Manuel d'installation et d'utilisation

Installation - Électrique

Alimentation électrique - modèles 115 volts

Branchez l'appareil sur une prise dédiée de 15 ampères. La machine doit être le seul appareil branché sur le circuit. Assurez-vous que la prise soit correctement mise à la terre et en bon état. Les prises usées ou desserrées doivent être remplacées car elles peuvent entraîner un fonctionnement irrégulier de la machine. Ne pas utiliser de rallonge. Ne coupez pas la fiche de terre du cordon d'alimentation.

L'utilisation d'un disjoncteur n'est pas recommandée. Un disjoncteur à la terre doit être utilisé en cas de mise à la terre défectueuse.

Cette machine à glaçons doit être installée sur un circuit spécial avec un disjoncteur ou un fusible HACR de calibre approprié. Aucun autre appareil ne doit être branché sur le même circuit que la machine à glaçons. L'installation d'une machine sur un circuit partagé peut entraîner des dysfonctionnements du produit ou l'endommager. Le calibre du circuit est indiqué sur l'étiquette de la machine, répertorié sous « DISJONCTEUR DE TYPE HACR (pour chauffage, air conditionné et réfrigération) OU FUSIBLE MAXI ». Ne laissez jamais le fusible dépasser le calibre maximal du fusible indiqué sur l'étiquette.

L'utilisation d'un disjoncteur différentiel en cas de mise à la terre défectueuse (acronyme GFCI en anglais) ou d'un disjoncteur combiné anti-arc (acronyme ARCI en anglais) peut entraîner des déclenchements intempestifs et n'est pas recommandée sur la plupart des appareils, notamment sur les nôtres.

Si les codes locaux ou d'autres spécifications indiquent l'utilisation obligatoire de disjoncteurs différentiels en cas de mise à la terre défectueuse, un disjoncteur GFCI ou ARCI convenable pour HACR doit être installé. Une prise de type GFCI ou ARCI n'est pas recommandée pour les machines à glaçons et autres équipements de réfrigération, en raison des déclenchements intempestifs plus fréquents du GFCI ou de l'ARCI.

Vérifiez toujours auprès de votre inspecteur en électricité local ce qu'indique le code de votre région en matière de disjoncteurs GFCI ou ARCI et prises GFCI ou ARCI. Utilisez les services d'un électricien agréé si nécessaire et conformez-vous aux codes locaux et nationaux en vigueur.

Respectez tous les codes locaux - Cette machine doit être mise à la terre. Ne pas utiliser de rallonges et ne pas désactiver ou passer outre la broche de terre sur la prise électrique.

Positionnez la machine à son emplacement définitif.

Mettez la machine de niveau d'avant en arrière et de gauche à droite.

Mettez un joint d'étanchéité sur le comptoir conformément aux exigences des codes locaux.

HID312X, HID525X et HID540X

Manuel d'installation et d'utilisation

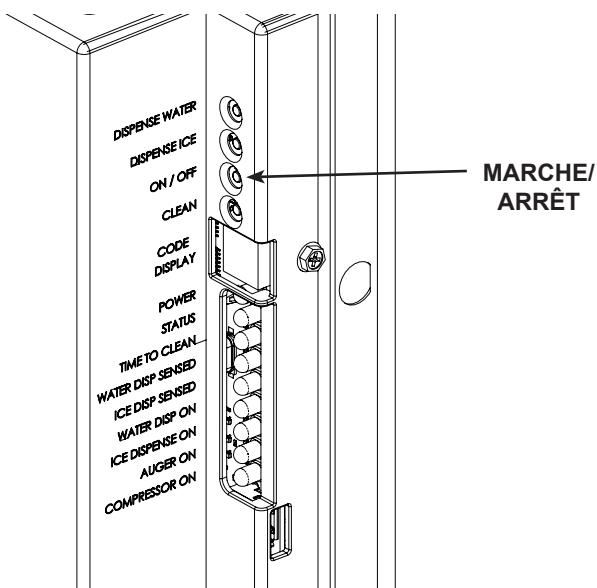
Mise en service initiale

Liste de vérification finale :

1. La machine à glaçons et distributeur est-elle installée à l'intérieur, dans un endroit où la température de l'air et de l'eau est contrôlée et où elle ne dépasse pas les limites de conception du produit ?
2. Y a-t-il un sectionneur électrique (interrupteur ou fiche selon le cas) visible depuis la machine une fois qu'elle a été installée ? La machine a-t-elle été installée sur un circuit séparé ? La tension a-t-elle été vérifiée et comparée aux exigences indiquées sur la plaque signalétique ?
3. Tous les raccordements de plomberie ont-ils été effectués et vérifiés pour détecter les fuites éventuelles ?
4. La machine a-t-elle été mise de niveau ?
5. Y a-t-il un minimum de 7,62 cm (3 po) d'espace libre sur les côtés gauche et droit de la machine refroidie par air ?
6. Y a-t-il un espace libre au-dessus et à l'arrière de la machine pour permettre d'effectuer l'entretien de la machine et les raccordements aux réseaux ?
7. Un robinet d'arrêt d'eau a-t-il été installé près de la machine ?

Démarrage

1. Retirez le panneau avant
2. Ouvrez l'eau, assurez-vous que l'eau pénètre dans le réservoir d'eau, que le réservoir se remplisse, puis que l'eau s'arrête. Assurez-vous qu'il n'y ait pas de fuites. Réparez les fuites avant de continuer.
3. Mettez l'alimentation électrique en marche. Les voyants de la commande clignoteront, puis le voyant d'alimentation restera allumé. Le code *0* sera affiché.



4. Appuyez brièvement sur le bouton Marche/Arrêt. La machine démarre le processus de fabrication de glaçons. Le code *F* sera affiché. Les modèles refroidis par air évacueront l'air chaud sur le côté droit, les modèles refroidis par eau évacueront l'eau chaude [environ 43 °C (110 °F)] par l'évacuation du condenseur.
5. Les glaçons commenceront à tomber dans le bac de distribution après quelques minutes. Vérifiez la distribution de glaçons :

Modèles avec distribution sans contact : placez un récipient devant le capteur pour la distribution de glaçons sans contact (juste en dessous du bec de distribution des glaçons). Les glaçons devraient s'écouler du bec lorsqu'un récipient est présenté et cesser de distribuer des glaçons lorsque le récipient est retiré.

Modèles avec distribution activée avec un bouton : appuyez sur le bouton pour la distribution des glaçons pendant 2 à 3 secondes et relâchez-le. Les glaçons seront distribués lorsque vous appuierez sur le bouton et la distribution s'arrêtera lorsque vous le relâcherez.

6. Vérifiez la distribution d'eau :

Modèles avec distribution sans contact : placez un récipient devant le capteur pour la distribution sans contact de l'eau. L'eau coulera lorsqu'un récipient est présent et s'arrêtera lorsqu'il sera retiré.

Modèles avec distribution activée avec un bouton : appuyez sur le bouton pour la distribution de l'eau pendant 2 à 3 secondes et relâchez-le. L'eau coulera lorsque le bouton sera enfoncé et s'arrêtera lorsqu'il sera relâché.

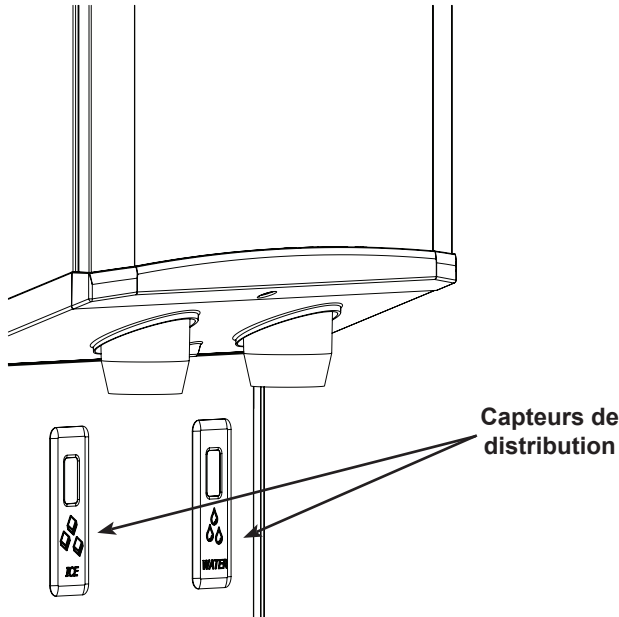
7. Appuyez sur le bouton Marche/Arrêt pour arrêter la machine.
8. Débranchez la machine de l'alimentation électrique.
9. Retirez le panneau supérieur et le haut du bac à glaçons. Retirez les glaçons du bac et désinfectez l'intérieur du bac à glaçons en l'essuyant avec un désinfectant approuvé localement ou un mélange de 29 ml (1 oz) d'eau de Javel avec 7,5 l (2 gallons) d'eau, puis laissez sécher à l'air.
10. Rebranchez l'alimentation électrique.
11. Appuyez sur le bouton Marche/Arrêt pour allumer la machine.
12. Remettez toutes les protections et les panneaux.
13. Remettez le manuel d'utilisation au propriétaire/utilisateur, instruisez-le sur les exigences concernant le fonctionnement et l'entretien de la machine. Assurez-vous qu'il sait qui appeler pour le dépannage.
14. Remplissez le formulaire d'évaluation par le client et d'enregistrement de la garantie et envoyez-le par courrier à Scotsman ou enregistrez l'appareil sur le site Internet de Scotsman (www.scotsman-ice.com).

HID312X, HID525X et HID540X

Manuel d'installation et d'utilisation

Fonctionnement : Distribution de glaçons et d'eau

Pendant la fabrication des glaçons, la glace molle est comprimée à travers une filière puis divisée en longueurs irrégulières. Les glaçons ne seront pas clairs et, en raison de la fusion, une fois distribués, leurs dimensions ou leurs formes ne seront pas uniformes.



La distribution a lieu lorsque le faisceau infrarouge du capteur sans contact rebondit vers le capteur lorsqu'un récipient est placé directement devant lui ou lorsque le bouton pour la distribution des glaçons/de l'eau est enfoncé, pour les modèles dont la distribution est activée avec un bouton.

Remarque : Pour les modèles dont la distribution est activée sans contact avec un capteur, placez un récipient à 2,54 cm (1 po) de la lentille pour déclencher la distribution. La distribution ne sera pas activée si la distance est plus grande ou plus petite, ou si la lentille est entièrement bloquée.

Si le récipient se trouve devant le capteur pour la distribution sans contact, sur le côté gauche, ou si vous appuyez sur le bouton de distribution de glaçons, le rotor de distribution de glaçons tournera et balayera les glaçons vers la goulotte de distribution de glaçons. Les glaçons continueront à s'écouler par cette goulotte tant que le rotor tournera. La distribution s'arrête lorsque le rotor s'arrête.

Si l'utilisateur ne retire pas le récipient devant le capteur ou ne relâche pas le bouton, la distribution des glaçons s'effectuera pendant 24 secondes puis elle s'arrêtera.

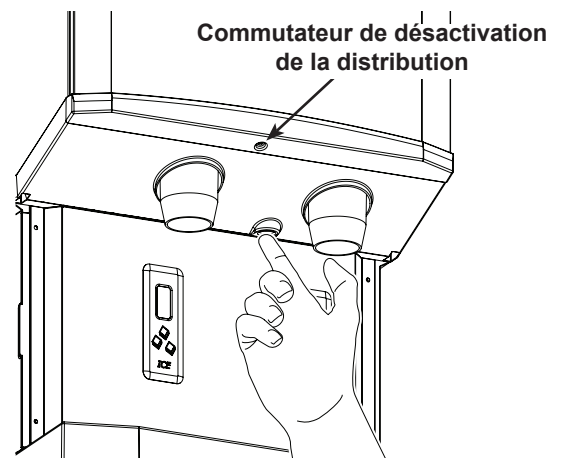
Si le récipient se trouve devant le capteur pour la distribution sans contact, sur le côté droit, ou si vous appuyez sur le bouton de distribution d'eau, la vanne d'entrée d'eau s'ouvrira et l'eau s'écoulera dans le récipient.

L'eau s'écoulera pendant 20 secondes puis l'écoulement s'arrêtera si l'utilisateur ne retire pas le récipient qui a été placé devant le capteur ou s'il ne relâche pas le bouton.

Remarque : L'eau peut être trouble au début, puis elle s'éclaircit lorsqu'elle est dans le verre. Ceci est normal en raison de la présence d'air dans l'eau et ne constitue pas l'indicateur d'un dysfonctionnement.

Autres remarques :

- Un écoulement occasionnel peut être observé depuis la goulotte de distribution des glaçons. Ceci est normal et provient de la fonte des glaçons à l'intérieur de la goulotte. Un jet d'eau continu provenant de la goulotte à glaçons indique une vidange du bac restreinte.
- Il se peut que les récipients transparents (en verre ou en plastique) n'activent pas les capteurs de distribution. Réessayez avec un récipient opaque.
- Le bac d'égouttage n'est pas un évier, par conséquent, aucun déchet ne doit y être versé. Le café et les sodas ne doivent pas être jetés dans ce bac. Les débris comme les touillettes qui sont jetés dans le bac d'égouttage provoqueront probablement un refoulement et devront être retirés dès qu'ils seront trouvés. Pour minimiser le risque que l'évacuation soit bouchée, ne laissez rien d'autre que de l'eau s'écouler dans l'évacuation.
- La distribution et la fabrication de glaçons sont désactivées lorsque l'appareil est éteint au niveau de la commande.



- Essuyage du panneau anti-éclaboussures. Il se peut qu'une distribution involontaire soit activée lorsque vous essuyez le panneau anti-éclaboussures. Un bouton de désactivation a été fourni afin d'éviter ce phénomène. Il est encastré au bas du panneau de la goulotte. Appuyez et relâchez-le pour désactiver la distribution pendant 60 secondes.

Bruit

Ceci est une machine à glaçons commerciale. Cette machine contient un compresseur puissant, un réducteur robuste et si la machine est refroidie par air, un ventilateur qui déplace beaucoup d'air. La machine fera du bruit durant la fabrication des glaçons. Tout a été mis en œuvre lors de sa conception pour minimiser le niveau sonore, mais un certain bruit est inévitable.

HID312X, HID525X et HID540X

Manuel d'installation et d'utilisation

Commande

Tous les modèles utilisent le même système de commande.

La commande électronique fait fonctionner le compresseur (avec moteur de ventilateur), le moteur d'entraînement de l'axe, le moteur d'entraînement de distribution et l'électrovanne de l'entrée d'eau. Cela permet de surveiller :

- Disponibilité de l'eau dans le réservoir
- Niveau de glaçons dans le bac de stockage
- Appel pour la distribution de glaçons
- Appel pour la distribution d'eau
- Pression pour la réfrigération
- Activation/désactivation de la distribution
- Vitesse du moteur
- Rotation du moteur
- Toutes les options de commandes installées

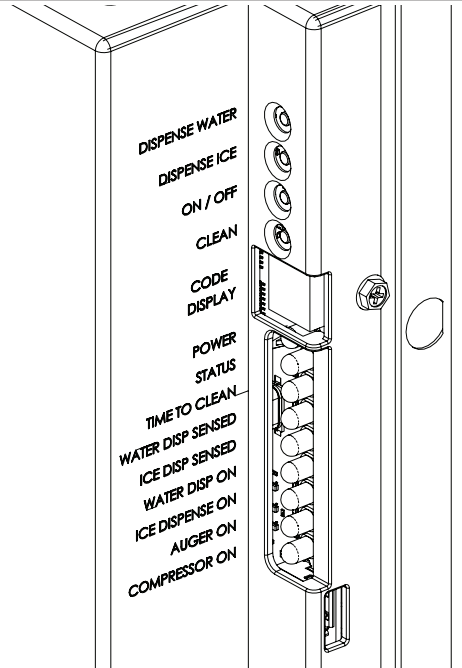
Beaucoup d'entre elles sont utilisées pour garantir que la machine ne soit pas endommagée pendant son utilisation. Par exemple, il est essentiel de ne pas tenter de fabriquer des glaçons sans eau. Ainsi, si le capteur d'eau est sec, la machine ne produira pas de glaçons.

Commutateurs - il y a quatre commutateurs :

- **Distribution de l'eau** - pour tester la distribution d'eau
- **Distribution de glaçons** - pour tester la distribution de glaçons
- **Marche/Arrêt** - pour allumer ou éteindre la machine. Maintenez ce bouton enfoncé pour éteindre la machine arrêtera immédiatement la fabrication de glaçons.
- **Nettoyage** - pour activer le mode nettoyage

Indicateurs - il y a neuf LED :

- **Alimentation** - s'allume lorsque la commande est alimentée
- **État** - s'allume en mode de fabrication des glaçons
- **Nettoyage requis** - s'allume lorsqu'il est temps de nettoyer la machine
- **Distr. d'eau détectée** - s'allume lorsque le capteur de distribution d'eau est déclenché ou lorsque vous avez appuyé sur le bouton pour la distribution d'eau*
- **Distr. de glaçons détectée** - s'allume lorsque le capteur de distribution de glaçons est déclenché ou lorsque vous avez appuyé sur le bouton pour la distribution de glaçons*
- **Distribution d'eau** - s'allume lorsque l'électrovanne d'entrée d'eau a été alimentée*
- **Distribution de glaçons** - s'allume lorsque le moteur de distribution de glaçons est alimenté*
- **Moteur** - s'allume lorsque le moteur fonctionne
- **Compresseur** - s'allume lorsque le compresseur est allumé



* Si cela clignote, la limite de temps de distribution d'eau ou de glaçons a été respectée.

Il y a aussi l'affichage des codes, les codes sont :

- D* - - pour éteint
- F* - - pour fabrication de glaçons
- b* - - pour bac plein
- E* - - pour disfonctionnement de la commande
- Ĉ* - - pour le mode nettoyage
- d* - - pour le mode test
- l* - - mauvais sens de rotation du moteur
- 2* - - pour la vitesse du moteur trop lente
- 3* - - pour aucune eau détectée
- 4* - - pour haute pression du réfrigérant

La commande arrêtera la fabrication de glaçons si un numéro de code est déclenché. Un code clignotant signifie qu'il s'agit d'une condition temporaire. Exemple : Lorsque *F* clignote pendant le processus de redémarrage de la fabrication de glaçons, il arrête de clignoter lorsque le compresseur démarre.

La commande redémarre automatiquement après une coupure d'eau ou une coupure de courant ou lorsqu'un pressostat de réfrigérant se réinitialise automatiquement. Pour réinitialiser la commande lorsqu'elle a été verrouillée manuellement, appuyez et relâchez le bouton Marche/Arrêt pour l'éteindre, puis appuyez et relâchez-le à nouveau pour l'allumer.

Remarque : Le compresseur ne redémarrera pas pendant 2 minutes après son arrêt.

HID312X, HID525X et HID540X

Manuel d'installation et d'utilisation

Entretien et nettoyage

L'entretien de 5 zones doit être effectué :

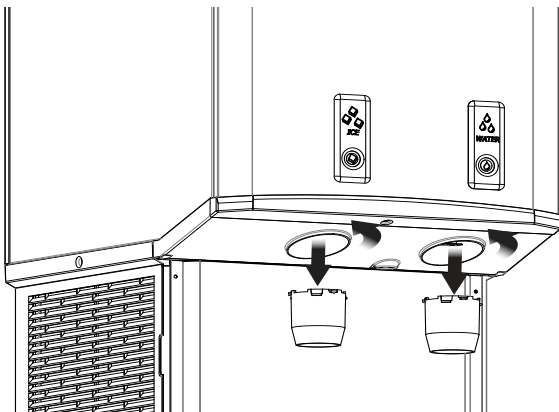
1. Bac d'égouttage et système de vidange
2. Filtre de condenseur refroidi par air
3. Bac de distribution de glaçons et rotor
4. Contrôle du niveau de glaçons avec cellule photoélectrique
5. Système d'eau pour la fabrication de glaçons

Bac d'égouttage

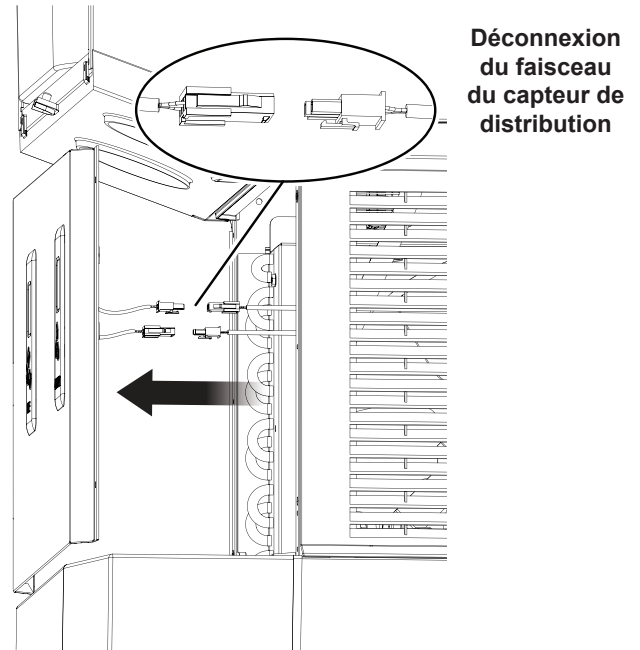
Il est important de garder le bac d'égouttage propre et sans déchets. Retirez les déchets dès que possible, le cas échéant. Versez régulièrement de l'eau chaude dans le bac pour maintenir le système de vidange ouvert.

Du tartre ou de la saleté peut s'accumuler sur le bac d'égouttage et le porte-gobelet au fil du temps. Ils peuvent être retirés et frottés dans un évier.

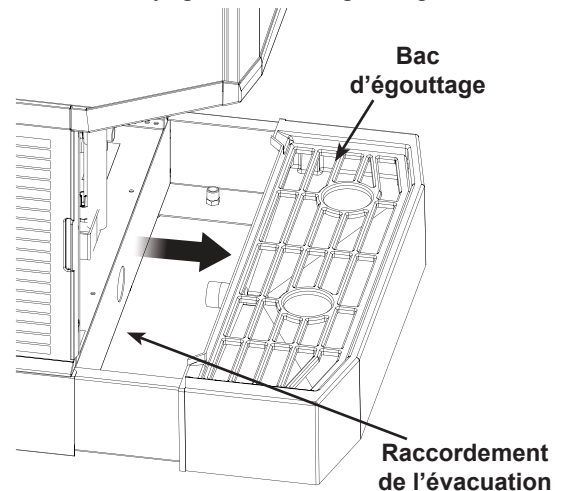
1. Retirez le panneau supérieur avant. Sur les modèles avec distribution activée avec un bouton, posez le panneau sur le bac d'égouttage et débranchez le connecteur du bouton pour retirer complètement le panneau.
2. Mettez la machine hors tension.
3. Tournez les goulottes de distribution dans le sens des aiguilles d'une montre et tirez-les vers le bas pour les retirer.



4. Retirez les vis retenant le panneau inférieur avant de la machine. Sur les modèles avec distribution sans contact, débranchez les capteurs du panneau inférieur au niveau du raccordement du faisceau. Mettez les panneaux de côté.



5. Tirez le bac d'égouttage (évier) vers l'avant pour le déconnecter du système de vidange. Bouchez le raccord de vidange avec un chiffon pour l'empêcher de fuir pendant le nettoyage du bac d'égouttage.



6. Lavez le bac d'égouttage et les goulottes de distribution. Utilisez un détartrant pour machine à glaçons si nécessaire pour dissoudre le tartre.
7. Procédez en sens inverse pour rémonter. Assurez-vous que le bac d'égouttage ait été correctement remis en place. Insérez les goulottes et faites-les tourner dans le sens inverse des aiguilles d'une montre jusqu'à ce qu'elles s'enclenchent et s'arrêtent.

HID312X, HID525X et HID540X

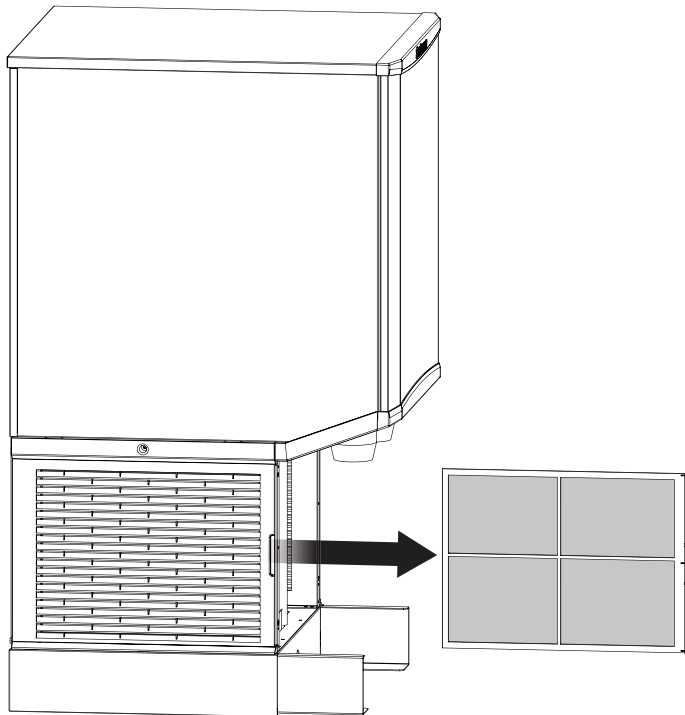
Manuel d'installation et d'utilisation

Filtre à air

Le filtre à air situé sur le côté gauche de l'armoire capte une quantité importante de poussière et de peluches pendant le fonctionnement. À mesure que la saleté s'accumule, elle limite progressivement le passage de l'air, ce qui réduit le rendement du système de réfrigération pour fabriquer des glaçons. Nettoyez le filtre à air à intervalles réguliers.

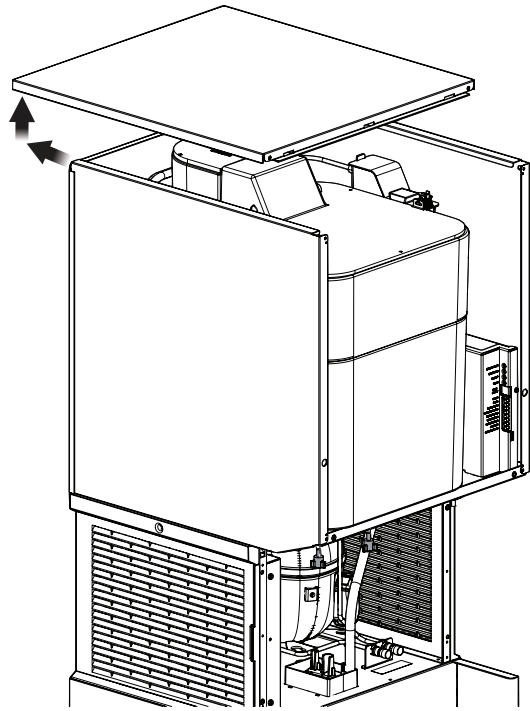
Pour le retirer, tirez-le vers l'avant des louveres. Ne laissez pas le filtre hors de la machine pendant de longues périodes.

Pour le nettoyer, lavez-le dans un évier. Remettez-le dans la machine une fois propre.

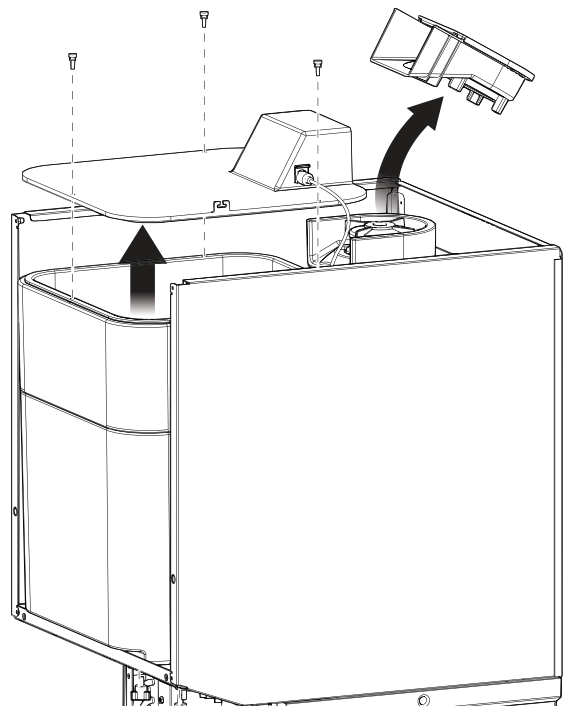


Condenseur

Les ailettes du condenseur peuvent également avoir besoin d'être nettoyées. Retirez la grille d'air latérale gauche et brossez les peluches et la saleté de la surface du condenseur. Aspirez toute saleté restante. Assurez-vous de ne pas endommager les ailettes du condenseur pendant le nettoyage.



Retirez le panneau supérieur



Retirez le couvercle du bac et la goulotte des glaçons

HID312X, HID525X et HID540X

Manuel d'installation et d'utilisation

Entretien et nettoyage - Composants du bac de distribution

Le bac de stockage de glaçons et le rotor doivent être nettoyés et désinfectés régulièrement, au minimum lorsque le système de fabrication de glaçons est nettoyé. Des outils à main et une protection des mains comme des gants en caoutchouc sont recommandés pour cette procédure.



Remarque : Certaines étapes chevauchent la procédure de la page suivante. Cette procédure peut être indépendante du nettoyage du système de fabrication de glaçons ou en faire partie.

Procédure de nettoyage du bac

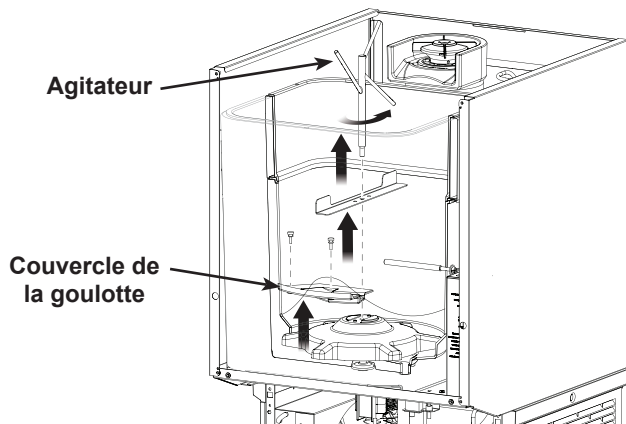
1. Retirez le panneau supérieur avant. Sur les modèles avec distribution activée avec un bouton, posez le panneau sur le bac d'égouttage et débranchez le connecteur du bouton pour retirer complètement le panneau.
2. Retirez le panneau supérieur.
3. Éteignez la machine.
4. Distribuez ou faites fondre tous les glaçons.

Remarque : Ajoutez lentement seulement 3 cl (16 oz) d'eau dans le bac à la fois, car l'excès d'eau s'écoulera par le bec.

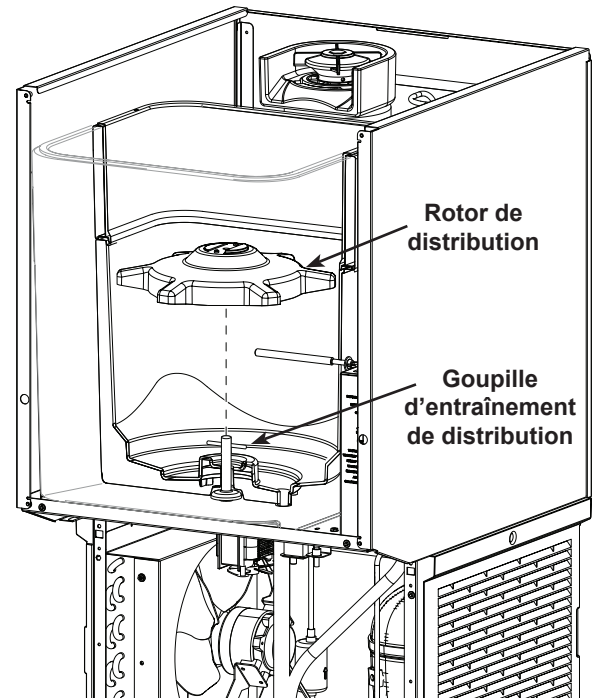
5. Débranchez le contrôle du niveau de glaçons au niveau du faisceau.

 ATTENTION	
Risque lié aux pièces mobiles. Risque de blessure. Débranchez l'alimentation électrique avant de commencer.	

6. Débranchez la machine de l'alimentation électrique.
7. Retirez le couvercle du bac à glaçons et mettez-le de côté.
8. Retirez l'agitateur (faites pivoter dans le sens inverse des aiguilles d'une montre), mettez-le de côté.
9. Retirez les 2 vis à oreilles et le couvercle de la goulotte et mettez-le de côté.



10. Soulevez et retirez le rotor de distribution, et mettez-le de côté.



11. Mélangez une solution de détartrant pour machine à glaçons, tel que Scotsman Clear 1 et de l'eau potable selon les instructions fournies avec le détartrant.
12. Utilisez un chiffon propre et lavez toutes les surfaces intérieures du bac ainsi que le couvercle du bac, la barre agitatrice, le couvercle de la goulotte et le rotor de distribution avec la solution antitartre pour machine à glaçons. Rincez à l'eau propre.
13. Mélangez une solution de 7,5 l (2 gallons) de désinfectant approuvé localement. Vous pouvez préparer une solution désinfectante avec un paquet de Stera Sheen Green Label et 7,57 l (2 gallons) d'eau chaude potable [température comprise entre 35 °C et 40 °C (95 ° à 105 °F)].
14. Utilisez un nouveau chiffon propre et lavez toutes les surfaces intérieures du bac ainsi que le couvercle du bac, le couvercle de la goulotte, la barre agitatrice et le rotor de distribution avec la solution désinfectante.
15. Remettez toutes les pièces dans leurs positions d'origine et fixez-les à l'aide des vis d'origine.
16. Rebranchez l'alimentation électrique et redémarrez la machine.

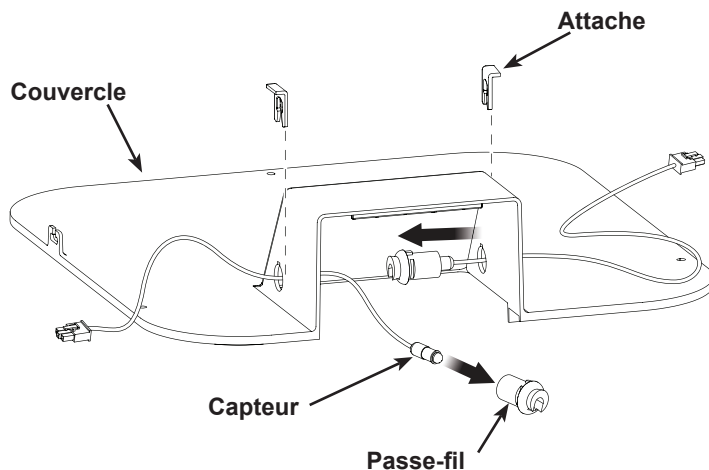
HID312X, HID525X et HID540X

Manuel d'installation et d'utilisation

Contrôle du niveau de glaçons

Nettoyez si le contrôleur indique que le bac est plein et qu'il n'y a pas de glaçons entre les capteurs.

1. Enlevez le panneau avant et le panneau supérieur.
2. Éteignez la machine.
3. Débranchez le contrôle du niveau de glaçons au niveau du connecteur.
4. Retirez les 3 vis à et le couvercle du bac de stockage des glaçons.
5. Tirez chaque clip pour œillet de capteur vers le haut et retirez-le.



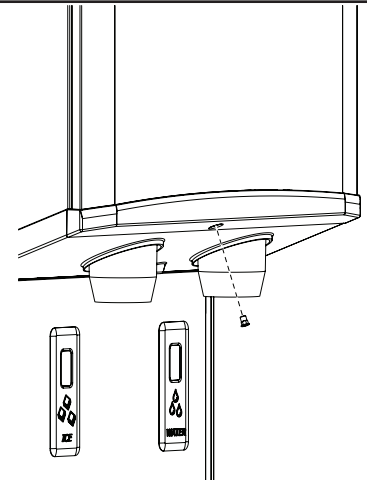
6. Poussez les œillets hors du dessus du bac.
7. Retirez chaque capteur de son œillet en caoutchouc. Tirez sur la partie la plus proche de l'œillet, pas sur le fil.
8. Essuyez les lentilles du capteur avec un chiffon doux et propre. Attention, ne rayez pas la lentille. Un détartrant pour machine à glaçons sera nécessaire s'il y a du tartre minéral sur la lentille.
9. Remettez chaque capteur dans un œillet et poussez-le jusqu'à ce qu'il s'enclenche.
10. Inversez le reste des étapes pour remonter le tout.

Bac de distribution

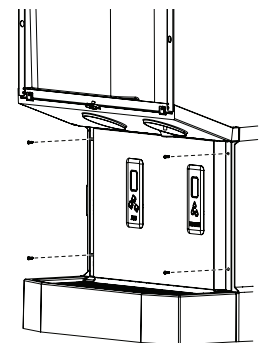
Le bac de distribution peut être retiré pour le nettoyage ou pour permettre un accès pour l'entretien d'autres composants.

1. Suivez les étapes 1 à 10 de la procédure de nettoyage du bac indiquée ci-dessus.
2. Retirez le balai à glaçons
3. Retirez la goulotte de distribution de glaçons et le couvercle de la goulotte.
4. Retirez la goupille d'entraînement du moteur de distribution.
5. Tournez et retirez les goulottes de distribution d'eau et de glaçons.

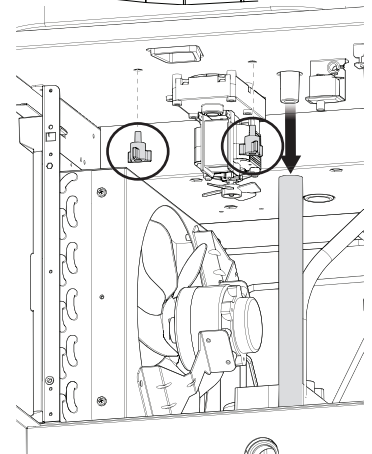
6. Retirez le panneau de montage de la goulotte.



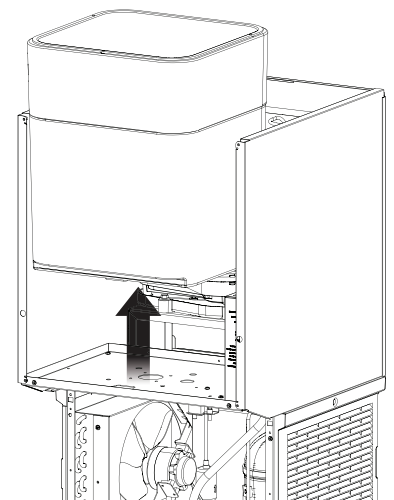
7. Retirez le panneau anti-éclaboussures. Sur les modèles de distribution sans contact, déconnectez les capteurs du faisceau et mettez le panneau de côté.



8. Localisez deux boulons à bouton à 3 broches sous le bac. Retirez-les.
9. Localisez l'évacuation du bac et débranchez-la du raccord du bac.



10. Tirez le bac vers l'avant et hors du châssis. Nettoyez-le si nécessaire.



HID312X, HID525X et HID540X

Manuel d'installation et d'utilisation

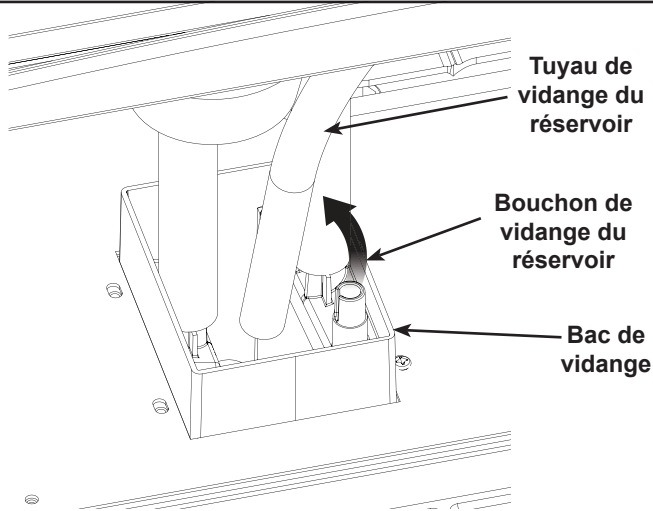
Instructions concernant le nettoyage du système de fabrication et de distribution des glaçons

Des outils à main, des produits de nettoyage et une protection des mains sont recommandés pour effectuer cette procédure.

Fréquence : Il est recommandé de nettoyer la machine tous les 6 mois. Un voyant Nettoyage requis s'allumera après 6 mois de mise sous tension afin de vous aider à déterminer si la machine n'a pas été nettoyée depuis 6 mois. Le nettoyage de la machine en suivant le processus suivant permettra de réinitialiser ce voyant et la minuterie qui la contrôle. Des nettoyages plus fréquents peuvent être nécessaires en fonction de la teneur en minéraux de l'eau, de la durée d'utilisation et de la contamination potentielle de l'air.

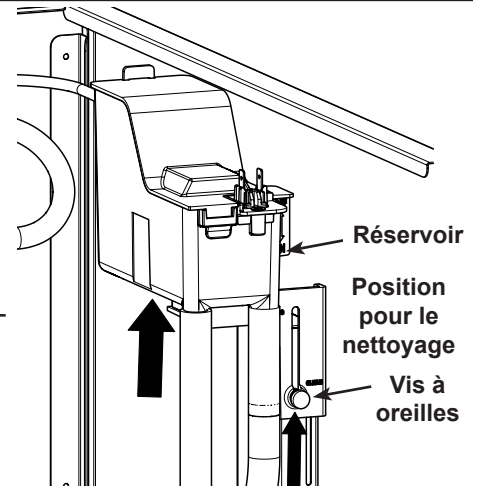
1. Retirez les deux panneaux avant, en déconnectant les capteurs ou les boutons si nécessaire.
2. Appuyez sur le bouton Marche/Arrêt pour arrêter la machine à glaçons.
3. Coupez l'alimentation en eau.
4. Vidangez l'eau du système de fabrication des glaçons en retirant le tuyau de vidange du réservoir du bouchon au niveau du bac de vidange et en replaçant le tuyau sur le bouchon une fois la vidange terminée

Remarque : Égouttez dans le bac de vidange situé à la base de la machine. L'évier doit être fixé à la machine pendant tout de ce processus.

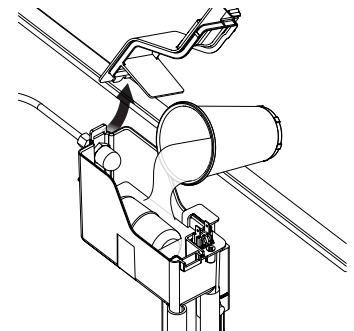



5. Retirez le couvercle du réservoir et remplissez-le d'eau chaude [température comprise entre 43 °C et 49 °C (110 °F et 120 °F)], attendez 2 minutes et vidangez l'eau du système de fabrication des glaçons en retirant le tuyau de vidange du réservoir du bouchon et en replaçant le tuyau sur le bouchon une fois la vidange terminée.
6. Préparez une solution en mélangeant 35 cl (12 oz) de détartrant Scotsman Clear 1 pour machine à glaçon avec 35 cl (12 oz) d'eau potable propre.


7. Desserrez la vis à oreilles qui maintient le réservoir d'eau au support.
8. Soulevez le réservoir d'eau jusqu'au sommet du support et fixez-le à nouveau avec la vis à oreilles.
9. Retirez le couvercle du réservoir d'eau.



10. Enlevez tous les glaçons du distributeur.
11. Retirez le couvercle du bac.
12. Retirez le couvercle de la goulotte d'évacuation des glaçons du haut du système de fabrication des glaçons.
13. Versez la solution de nettoyage dans le réservoir. Attention : la solution est très acide. Utilisez des gants en caoutchouc et ne renversez pas la solution.



<p>ATTENTION</p>	<p>Le nettoyant pour machine à glaçons de Scotsman contient des acides. Ces composés peuvent provoquer des brûlures.</p>
	<p>En cas d'ingestion, NE PAS faire vomir. Faire boire de grandes quantités d'eau ou de lait. Appelez un médecin immédiatement. En cas de contact sur la peau, rincez à l'eau.</p> <p>CONSERVEZ HORS DE PORTÉE DES ENFANTS</p>

<p>ATTENTION</p>	
<p>Risque lié aux pièces mobiles.</p> <p>Risque de blessure.</p> <p>Débranchez l'alimentation électrique avant de commencer.</p>	

HID312X, HID525X et HID540X

Manuel d'installation et d'utilisation

14. Appuyez sur le bouton Nettoyer. La machine fera fonctionner le moteur pendant 30 minutes, puis s'arrêtera.

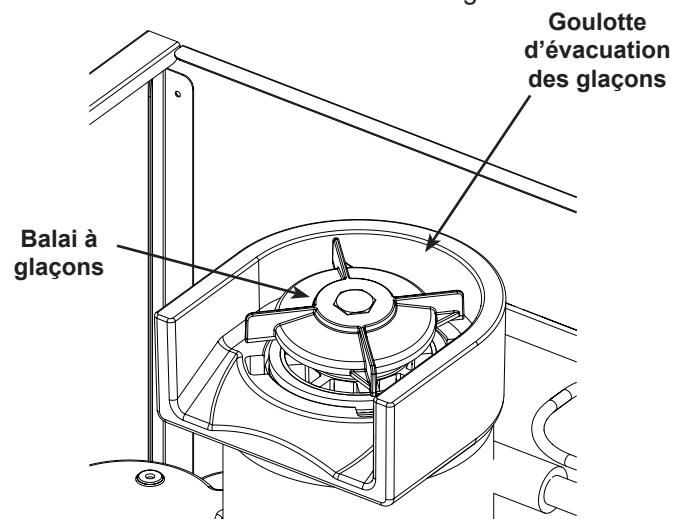
Remarque : Vous pouvez arrêter la machine à tout moment en appuyant sur le bouton Marche/Arrêt.

15. Débranchez la machine de l'alimentation électrique.
16. Vidangez le détartrant du système d'eau en retirant le tuyau de vidange du réservoir du bouchon et en remplaçant le tuyau sur le bouchon une fois la vidange terminée.
17. Versez 70 cl (24 oz) d'eau potable propre dans le réservoir.
18. Vidangez l'eau du système d'eau en retirant le tuyau de vidange du réservoir du bouchon et en remplaçant le tuyau sur le bouchon une fois la vidange terminée.
19. Préparez une solution en mélangeant 12 cl (4 oz) de détartrant pour machine à glaçons avec 47 cl (16 oz) d'eau potable propre. Utilisez ce détartrant pour laver le couvercle du réservoir d'eau, la goulotte d'évacuation des glaçons, le couvercle de la goulotte d'évacuation des glaçons, la goulotte de distribution des glaçons, le couvercle du bac de stockage et l'intérieur du bac de stockage des glaçons. Lavez également l'évier, le bac d'égouttage, la grille, **le bac de vidange et le collecteur** avec cette solution. Versez la moitié dans l'évacuation du bac et le reste dans l'évier/bac d'égouttage pour rincer l'évacuation et **le bac de vidange**.

Maintenant désinfectez.

20. Préparez une solution de désinfectant en mélangeant 8 litres (2 gallons) d'eau potable propre et chaude (entre 40 °C et 46 °C - entre 105 °F et 115 °F) avec 0,5 litre (2 oz) de désinfectant approuvé localement.
21. Versez la solution désinfectante dans le réservoir jusqu'à ce qu'il soit plein (au niveau de la ligne moulée située sur le côté).
22. Rebranchez l'alimentation électrique.
23. Appuyez sur le bouton Marche/Arrêt pour que la machine fabrique des glaçons pendant 10 minutes. Ajoutez plus de désinfectant dans le réservoir pour le garder plein pendant que la machine fabrique des glaçons.
24. Appuyez sur le bouton Marche/Arrêt pour arrêter la machine.
25. Débranchez l'alimentation électrique.
26. Retirez le couvercle de la sortie des glaçons, le rotor de distribution et l'agitateur du distributeur de glaçons du bac. Lavez-les avec la solution désinfectante.
27. Lavez toutes les surfaces intérieures du bac de stockage des glaçons et de la goulotte d'évacuation des glaçons avec la solution désinfectante.
28. Lavez le couvercle de la goulotte d'évacuation des glaçons, le bac à glaçons, la zone métallique sous le bac à glaçons et la goulotte de distribution des glaçons avec la solution désinfectante.

29. Lavez l'évier, le bac d'égouttage, la grille, **le bac de vidange et le collecteur** avec la solution désinfectante. Versez le reste de la solution désinfectante dans le bac et l'évier. Ne remplissez pas trop le bac.
30. Vidangez la solution désinfectante du système de fabrication des glaçons en retirant le tuyau de vidange du réservoir du bouchon et en remplaçant le tuyau sur le bouchon une fois la vidange terminée.
31. Desserrez la vis à oreilles qui maintient le réservoir d'eau sur le support et abaissez le réservoir d'eau jusqu'au sommet de la fente, puis resserrez la vis à oreilles.
32. Remettez le couvercle de la goulotte, le rotor de distribution et l'agitateur à l'intérieur du bac de stockage. Fixez-les avec les vis d'origine.
33. Remettez la goulotte de distribution de glaçons et le couvercle du réservoir d'eau dans leur position d'origine et fixez-les avec les vis d'origine.
34. Rebranchez l'eau et l'alimentation électrique à la machine.
35. Appuyez sur le bouton Marche/Arrêt pour redémarrer la fabrication de glaçons.
36. Laissez fonctionner la machine pendant 5 minutes, puis appuyez sur le bouton Marche/Arrêt pour arrêter la fabrication de glaçons.
37. Versez 3 cl (16 oz) d'eau potable chaude [température comprise entre 35 °C et 40 °C (95 ° à 105 °F)] dans le bac. Continuez jusqu'à ce que tous les glaçons aient fondu.
38. Remettez le couvercle du bac de distribution sur la machine et fixez-le avec les vis d'origine.
39. Appuyez sur le bouton Marche/Arrêt pour redémarrer la fabrication de glaçons.
40. Remettez tous les panneaux dans leur position normale et fixez-les avec les vis d'origine.



HID312X, HID525X et HID540X

Manuel d'installation et d'utilisation

Autres entretiens

Moteur

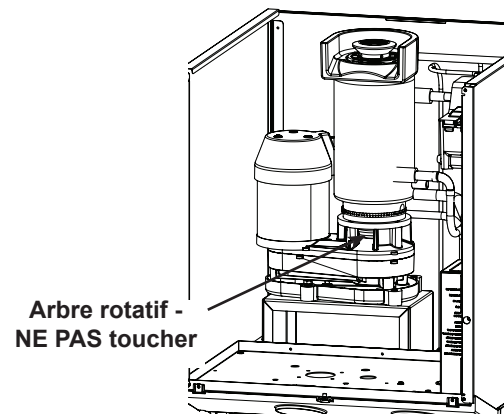
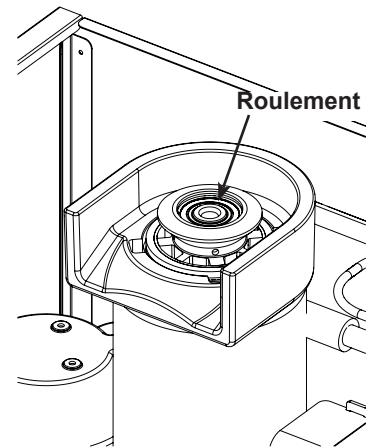
Le moteur du système de fabrication des glaçons est centré grâce à des roulements situés en haut et en bas. Il est également protégé contre les fuites par un joint situé en bas.

Les roulements sont lubrifiés en permanence et ne nécessitent aucun entretien. Ils peuvent être vérifiés visuellement pour détecter toute usure ou tout dommage évident, mais il n'est pas nécessaire de les lubrifier.

Les roulements du moteur de la vis sans fin et le réducteur sont également lubrifiés en permanence et ne nécessitent aucun entretien.

Le bas du système de fabrication de glaçons doit être vérifié pour détecter toute fuite d'eau. Si de l'eau s'écoule par le bas c'est une indication d'une fuite du joint hydraulique. Une réparation immédiate est requise lorsqu'une fuite du joint d'eau est découverte.

Attention : Risque lié aux pièces mobiles. Ne jamais toucher à l'arbre rotatif.



HID312X, HID525X et HID540X

Manuel d'installation et d'utilisation

Résolution des problèmes de base

Consultez le manuel d'entretien du HIDX indépendant, pour obtenir des informations plus détaillées concernant la résolution des problèmes.

Symptôme	Cause probable	Correction possible
Aucun glaçon n'est distribué	Absence de glaçons dans le bac	La machine est en mode Arrêt. Retirez le panneau avant supérieur et vérifiez le code sur la commande, appuyez sur le bouton Marche/Arrêt pour redémarrer la machine.
		La machine n'est pas alimentée en eau. La commande affiche le code 3. Rétablissez l'alimentation en eau.
		La machine n'est pas alimentée, le voyant d'alimentation de la commande est éteint. Rétablissez le courant.
		Contrôle haute pression ouvert. La commande affiche le code 4, alimentation en eau interrompue pour le modèle refroidi à l'eau. Rétablissez l'alimentation en eau et réinitialisez la commande.
	Le capteur du niveau de glaçons détecte faussement le bac comme étant plein. La commande affiche 5. Nettoyez les capteurs de contrôle du niveau de glaçons.	
Aucune eau n'est distribuée	Le moteur de distribution ne fonctionne pas	Retirez le panneau avant supérieur, vérifiez les voyants de la commande. Tenez le récipient devant le capteur ou appuyez sur le bouton pour distribuer des glaçons. Le voyant Distribution de glaçons détectée s'allume-t-il ? S'il ne s'allume pas, le capteur ne détecte pas le conteneur ou le bouton ne fonctionne pas. Si oui, le voyant Distribution de glaçons s'allume-t-il ? Si oui, appuyez sur le bouton Distribution de glaçons de la commande. Le moteur fonctionne-t-il ? Si oui, passez à la ligne suivante. Si non, vérifiez la tension au niveau du moteur. S'il n'y a pas de courant, remplacez la commande. En cas de tension au niveau du moteur, remplacez le moteur.
	Le moteur de distribution fonctionne, mais les glaçons qui sont dans le bac ne bougent pas	L'agitateur ou le rotor ne tourne pas, retirez tous les glaçons et inspectez l'agitateur et le rotor pour déceler tout dommage.
Aucune eau n'est distribuée	La machine n'est pas alimentée en eau.	Rétablissez l'alimentation en eau.
	Le robinet d'eau ne s'ouvre pas	Retirez le panneau avant supérieur, vérifiez les voyants de la commande. Tenez le récipient devant le capteur ou appuyez sur le bouton pour distribuer l'eau. Le voyant Distribution d'eau détectée s'allume-t-il ? S'il ne s'allume pas, le capteur ne détecte pas le conteneur ou le bouton ne fonctionne pas. Si oui, le voyant Distribution d'eau s'allume-t-il ? Si oui, appuyez sur le bouton Distribution d'eau de la commande. La vanne d'eau est-elle activée ? Si non, vérifiez le courant au niveau de la vanne. S'il n'y a pas de courant, remplacez la commande. En cas de courant au niveau de la vanne, remplacez la vanne.
L'eau coule du bec	Cela peut-être normal	Quelques gouttes par minute sont normales.
	L'évacuation du bac est peut-être bouchée.	Vérifiez le tuyau de vidange du bac au niveau du bac.
L'eau distribuée est trouble, mais s'éclaircit en quelques minutes	Air dans l'eau	Cela est normal et peut varier en fonction de la quantité d'air contenue dans l'eau. Peut être amélioré en abaissant la pression de l'eau dans la machine.
Le jet d'eau n'est pas uniforme ou il y a des éclabousses excessives lors de la distribution	L'aérateur n'est pas installé	Les machines fabriquées en 2020 ou avant ne disposent pas d'aérateur qui régule un jet régulier et réduit les éclaboussures. Le kit de conversion 16-1246-21 peut être facilement installé et il est compatible avec tous les modèles HIDX.
	L'aérateur est bouché	Les machines fabriquées en 2021 ou après sont équipées d'un aérateur. L'aérateur est peut-être bouché et doit être remplacé. Le kit de service 16-1246-22 comprend un aérateur de remplacement et l'outil clé requis.

HID312X, HID525X et HID540X

Manuel d'installation et d'utilisation

Diagnostic de la commande

Code ou voyant	Cause probable	Action suggérée
<i>0</i>	La machine a été arrêtée manuellement	Si vous le souhaitez, mettez la machine en marche.
<i>F</i>	Mode de congélation	Aucun, la machine fabrique des glaçons.
<i>b</i>	Les capteurs du bac détectent que le bac est plein	Vérifiez si le bac est plein.
<i>E</i>	Mémoire corrompue	Remplacez la commande
<i>Ĉ</i>	Mode Nettoyage	Continuez en mode Nettoyage
<i>d</i>	Mode d'essai	Aucun, laissez la machine terminer le mode d'essai.
<i>l</i>	Le moteur tourne vers l'arrière.	Remplacez le moteur. Vérifiez la zone du joint d'eau pour déceler des fuites, remplacez le joint en cas de fuite.
<i>2</i>	Le moteur cale ou fonctionne lentement	Nettoyez le système de fabrication de glaçons et réessayez.
<i>3</i>	Pas d'eau dans le réservoir	Rétablissez l'alimentation en eau. S'il y a de l'eau, est-elle trop pure ? Les fils du capteur sont-ils connectés ?
<i>4</i>	Contacteur de coupure haute pression ouvert	Vérifiez le moteur du ventilateur en cas de refroidissement par air ou l'alimentation en eau en cas de refroidissement par eau.
Le voyant Distribution d'eau détectée clignote	Récipient placé devant le capteur de distribution d'eau ou bouton enfoncé pendant plus de 24 secondes	Normalement, la commande a un délai pour la distribution. Retirez le récipient.
Le voyant Distribution d'eau clignote		
Le voyant Distribution de glaçons détectée clignote		
Le voyant Distribution de glaçons clignote		
Le voyant État est allumé	La machine est en mode Fabrication de glaçons	C'est normal, il se peut qu'aucun glaçon ne soit fabriqué si le bac est plein
Le voyant « Nettoyage requis » est allumé	La machine n'a pas été nettoyée depuis au moins 6 mois	Machine propre
Le voyant Distribution d'eau détectée est allumé	Un récipient se trouve devant le capteur ou le bouton de distribution d'eau est enfoncé.	C'est normal pendant la distribution d'eau
Le voyant Distribution de glaçons détectée est allumé	Un récipient se trouve devant le capteur ou le bouton de distribution de glaçons est enfoncé.	C'est normal pendant la distribution de glaçons
Le voyant Distribution d'eau est allumé	Le solénoïde d'eau a été activé	C'est normal pendant la distribution d'eau
Le voyant Distribution de glaçons est allumé	Le moteur d'entraînement du bac a été activé	C'est normal pendant la distribution de glaçons
Le voyant du moteur est allumé	Le moteur est activé	C'est normal quand la machine fabrique des glaçons
Le voyant du compresseur est allumé	Le compresseur est activé	C'est normal quand la machine fabrique des glaçons

HID312X, HID525X et HID540X

Manuel d'installation et d'utilisation

Mise hors service

Faites appel à un technicien qualifié connaissant le réfrigérant R290 pour la mise hors service, car des outils et des conteneurs spéciaux sont nécessaires pour le retrait, le transport et l'élimination du propane hautement inflammable.

Il est recommandé d'utiliser de bonnes pratiques d'exploitation afin de maintenir la sécurité et de se conformer aux directives locales, étatiques et fédérales pour une élimination appropriée du produit.

- Assurez-vous que tous les outils et équipements mécaniques nécessaires sont disponibles avant de commencer la procédure.
- Tous les équipements de protection doivent être utilisés à tout moment et vous devez avoir des équipements et des bouteilles de récupération à portée de main.
- Tous les conteneurs utilisés pour la récupération doivent avoir des étiquettes appropriées indiquant qu'ils peuvent être utilisés pour le réfrigérant R290.
- Placez les réfrigérants sur une balance avant de commencer la récupération du réfrigérant. Ne remplissez pas les conteneurs plus de 80 % de leur volume et ne dépassez pas la pression de service du conteneur.
- Avant d'utiliser la machine de récupération, assurez-vous qu'elle soit en bon état de fonctionnement et que les composants électriques soient correctement scellés afin d'éviter tout type d'inflammation.
- Le réfrigérant récupéré ne doit pas être chargé dans un autre système de réfrigération ni mélangé dans un autre conteneur.
- Lorsque vous déplacez du réfrigérant depuis un système, appliquez les bonnes pratiques ; tous les réfrigérants doivent être retirés en toute sécurité.
- Tout le réfrigérant récupéré doit être retourné au fournisseur de réfrigérant afin qu'il procède à une élimination appropriée.
- Si le compresseur ou les huiles de compresseur sont éliminés, assurez-vous qu'ils soient éliminés correctement afin que le réfrigérant inflammable ne reste pas dans le lubrifiant.

SCOTSMAN ICE SYSTEMS

101 Corporate Woods Parkway

Vernon Hills, IL 60061

800-726-8762

www.scotsman-ice.com