



# FS1222 - 1200lb Flake Ice Machine

Prodigy Plus® Flake Ice Machine



## Features & Benefits

- Sealed, maintenance-free bearings for reduced preventative maintenance and long-lasting performance
- Stainless steel evaporator and auger for maximum durability
- AutoAlert™ indicator lights for better visibility
- Operational footprint among the industry's smallest
- Unit specific QR code for quick access to service manuals, cleaning guides and warranty history
- Front-breathing - No side clearance required for flexible placement
- Smart-Board™ advanced feature module available for additional diagnostic capabilities
- Optional Vari-Smart™ ice level control allows operators to customize ice levels
- Antimicrobial protection guards internal surfaces between cleanings
- A full range of water- and energy-saving features



Sealed, maintenance-free bearings ensure maximum reliability and contribute to a long machine life



## 24 Hour Volume Production

Air Cooled		Remote Cooled			Water Cooled			
70°F/21°C 50°F/10°C	Air Water	90°F/32°C 70°F/21°C	70°F/21°C 50°F/10°C	Air Water	90°F/32°C 70°F/21°C	70°F/21°C 50°F/10°C	Air Water	90°F/32°C 70°F/21°C
1056/480 lb/kg		827/376 lb/kg	1250/567 lb/kg		875/397 lb/kg	1010/459 lb/kg		933/423 lb/kg



## Modular Bin Options

Model Number*	Dimensions W" x D" x H"	Bin Application Capacity lb/kg	Finish	Ship Weight lb/kg
B842S	42 x 34 x 44	778/353	Metallic	190/86
B948S	48 x 34 x 44	893/406	Metallic	209/95
BL1048S	48 x 31 x 54.4	1000/454	Stainless Steel	268/122
BL1360S	60 x 61 x 54.4	1320/599	Stainless Steel	322/147
BL1660S	60 x 31 x 63.4	1660/753	Stainless Steel	340/154

\*Contact Scotsman for bin top requirements.



AutoAlert™ indicator lights and QR code for easy maintenance



## Flake Ice



Cools more quickly than other ice forms. Ideal for seafood and produce displays.



## Certification



## Warranty

- 3 years parts and labor on all components
- 5 years parts on the compressor
- Warranty valid in North, South & Central American for commercial installations
- Contact factory for warranty in other regions
- Residential Applications: 1 year parts and labor



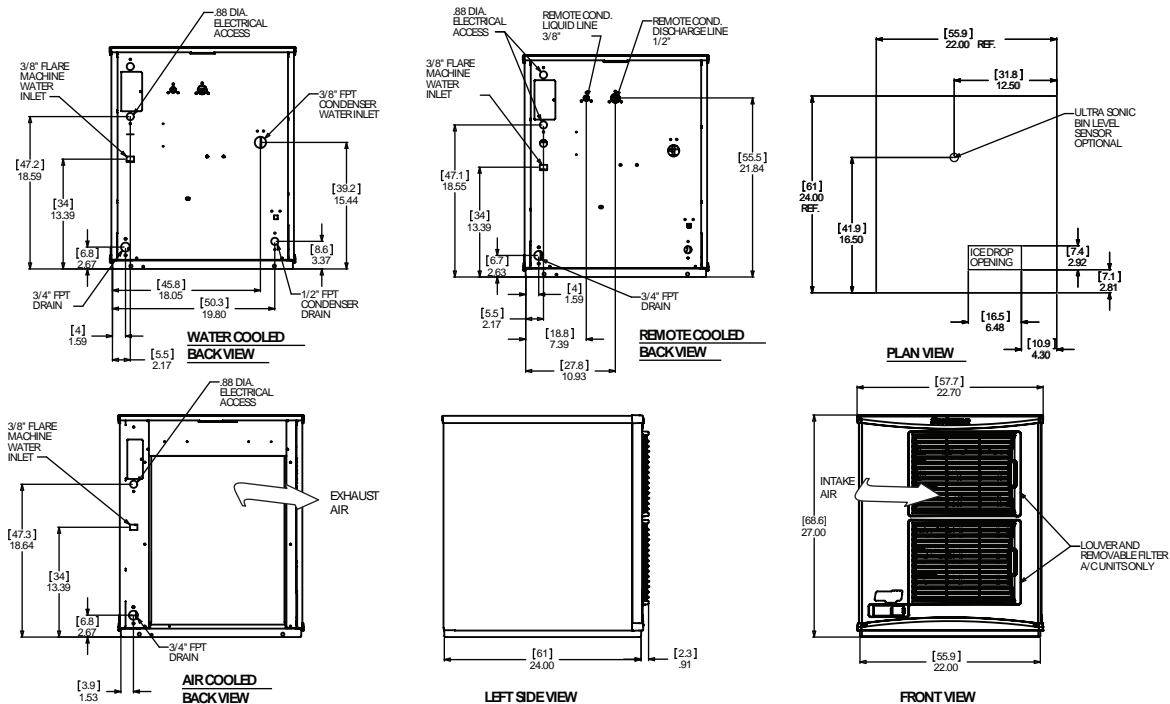
101 Corporate Woods Parkway, Vernon Hills, IL 60061

1-800-SCOTSMAN | Fax: 847-913-9844 | www.scotsman-ice.com | customer.relationships@scotsman-ice.com

FS1222 - 1200lb Flake Ice Machine

# FS1222 - 1200lb Flake Ice Machine

Prodigy Plus® Flake Ice Machine



## Specifications

Model Number	Condenser Unit	Basic Electrical Volts/Hz/Phase	Max. Fuse Size (amps)	Circuit Wires	Min. Circuit Ampacity	Energy Consumption kWh/100 lb (45.4 kg) 90°F(32°C)/70°F(21°C)	Water Usage Gallons/100 lb (liters/45.4 kg)		Energy Star
							Potable 90°F(32°C)/70°F(21°C)	Condenser 90°F(32°C)/70°F(21°C)	
FS1222AX-32	Air	208-230/60/1	15	2	10.6	3.16	12.0/45.5	-	✓
FS1222R-32	Remote	208-230/60/1	15	2	13.0	4.59	12.0/45.5	-	
FS1222WX-32	Water	208-230/60/1	15	2	9.5	3.63	12.0/45.5	157/595	
FS1222R-3	Remote	208-230/60/3	15	3	10.3	4.59	12.0/45.5	-	



## All Models

### Dimensions (W x D x H):

Unit: Individual  
22" x 24" x 27"  
(55.9 x 61.0 x 68.6 cm)

Side by Side  
45.8" x 24" x 27"  
(116.3 x 61.0 x 68.6 cm)

Shipping Carton: 25.5" x 27.5" x 32.5"  
(64.8 x 69.9 x 82.6 cm)

Shipping Weight: 220 lb / 100 kg  
BTUs per hour: 10,500

Model Number	Refrigerant	Refrigerant Charge (oz)
FS1222AX-32	R290	7.0
FS1222R-32	R-404A	192.0
FS1222WX-32	R290	6.0
FS1222R-3	R-404A	192.0



## Accessories

Model Number	Description
KVS	Vari-Smart™ Ice Level Control - Program ice bin levels to match ice needs.
KSBU	Smart-Board™ Advanced Control - Use additional operational data for fast diagnosis.
KSBU-N	Smart-Board™ Advanced Control with Network - Network capable.
KPAS	Prodigy Advanced Sustainability Kit - Includes KVS and KSBU - N
ERC311-32	Remote condenser for F1222R, 208-230/60/1 - Consult remote condenser spec sheet for details.
BRTE10	Line set, 10ft, brazing required.
BRTE25	Line set, 25ft, brazing required.
BRTE40	Line set, 40ft, brazing required.
BRTE75	Line set, 75ft, brazing required.

Scotsman recommends all ice machines have water filtration. See Scotsman water filter specification sheet for details.



## Operating Requirements

	Minimum	Maximum
Air Temperatures	50°F (10°C)	100°F (38°C)
Water Temperatures	40°F (4.4°C)	100°F (38°C)
Remote Cond. Temps	-20°F (-29°C)	120°F (49°C)
Water Pressures	20 PSIG (1.4 bar)	80 PSIG (5.5 bar)
Electrical Voltage	-5%	+10%

Specifications and design are subject to change without notice.

FS1222 - 1200lb Flake Ice Machine