



VERSA STEEL

STAINLESS STEEL WALL MOUNTED SHELVES

WALL MOUNT SHELF S/S (ALL SIZES & TYPES)



WALL MOUNT SHELF



WALL MOUNT MICROWAVE SHELF

WARRANTY:
LIMITED ONE YEAR PARTS
AND LABOUR
SPECIFICATIONS SUBJECT TO
CHANGE WITHOUT
NOTICE.

FIND
ADDITIONAL
BENEFITS
HERE



S/S WALL MOUNTED SHELVES & MICROWAVE SHELVES

PRODUCT FEATURES:

- Made with 18 gauge, Type 430 stainless steel
- Easy assembly and installation
- Safe and durable
- Wall mounting hardware is not included
- Shelf is supported with two triangular brackets

- Steel is reinforced to meet or exceed industry standards
- All units 72" and over include an additional center support (Not shown)
- Microwave shelves are designed to hold our EFI brand of Microwaves
- Surface is machine polished to a satin finish
- Shipped unassembled for reduced cost and space, and are easy to assemble

ADDITIONAL IMAGES



CLICK OR SCAN FOR ALL LINE DRAWING



TRIANGULAR BRACKETS



SIMPLE ASSEMBLE



POLISHED FINISH

MODEL DESIGNATIONS



ADDITIONAL RESOURCES

STAINLESS STEEL WALL MOUNTED SHELVES

WALL MOUNT SHELF S/S (ALL SIZES & TYPES)

DIMENSIONS

Code	Assembled Dimensions						Load Cap.			
	Width (A)		Depth (B)		Height (C)		Weight		Top	
	in.	mm	in.	mm	in.	mm	Lbs	KG	Lbs	KG
WMS-12-24	24.0	610	12.0	305	10.0	254	7	3	77	35
WMS-12-36	36.0	914	12.0	305	10.0	254	9	4	77	35
WMS-12-48	48.0	1219	12.0	305	10.0	254	12	5	84	38
WMS-12-60	60.0	1524	12.0	305	10.0	254	15	7	84	38
WMS-12-72	72.0	1829	12.0	305	10.0	254	18	8	88	40
WMS-12-84	84.0	2134	12.0	305	10.0	254	21	8	88	40
WMS-12-96	96.0	2438	12.0	305	10.0	254	22	10	95	43

Shipping Dimensions									
Width		Depth		Height		Weight			
in.	mm	in.	mm	in.	mm	Lbs	KG		
25.2	640	13.4	340	3.3	85	9	4		
37.2	945	13.4	340	3.3	85	11	5		
49.2	1250	13.4	340	3.3	85	14	6		
61.2	1555	13.4	340	3.3	85	17	8		
73.2	1860	13.4	340	3.3	85	20	9		
85.2	2164	13.4	340	3.3	85	23	11		
97.2	2469	13.4	340	3.3	85	26	12		

WMS-14-24	24.0	610	14.0	356	10.0	254	8	4	77	35
WMS-14-36	36.0	914	14.0	356	10.0	254	11	5	77	35
WMS-14-48	48.0	1219	14.0	356	10.0	254	13	6	84	38
WMS-14-60	60.0	1524	14.0	356	10.0	254	17	8	84	38
WMS-14-72	72.0	1829	14.0	356	10.0	254	20	9	88	40
WMS-14-84	84.0	2134	14.0	356	10.0	254	23	11	88	40
WMS-14-96	96.0	2438	14.0	356	10.0	254	26	12	88	40

25.2	640	15.4	390	3.3	85	10	5		
37.2	945	15.4	390	3.3	85	13	6		
49.2	1250	15.4	390	3.3	85	15	7		
61.2	1555	15.4	390	3.3	85	19	9		
73.2	1860	15.4	390	3.3	85	22	10		
85.2	2165	15.4	390	3.3	85	26	12		
97.2	2470	15.4	390	3.3	85	28	13		

WMS-16-24	24.0	610	16.0	406	10.0	254	10	4	84	38
WMS-16-36	36.0	914	16.0	406	10.0	254	13	6	84	38
WMS-16-48	48.0	1219	16.0	406	10.0	254	15	7	88	40
WMS-16-60	60.0	1524	16.0	406	10.0	254	20	9	88	40
WMS-16-72	72.0	1829	16.0	406	10.0	254	23	10	92	42

25.2	640	17.3	440	3.3	85	12	5		
37.2	945	17.3	440	3.3	85	15	7		
49.2	1250	17.3	440	3.3	85	18	8		
61.2	1555	17.3	440	3.3	85	22	10		
73.2	1860	17.3	440	3.3	85	25	11		

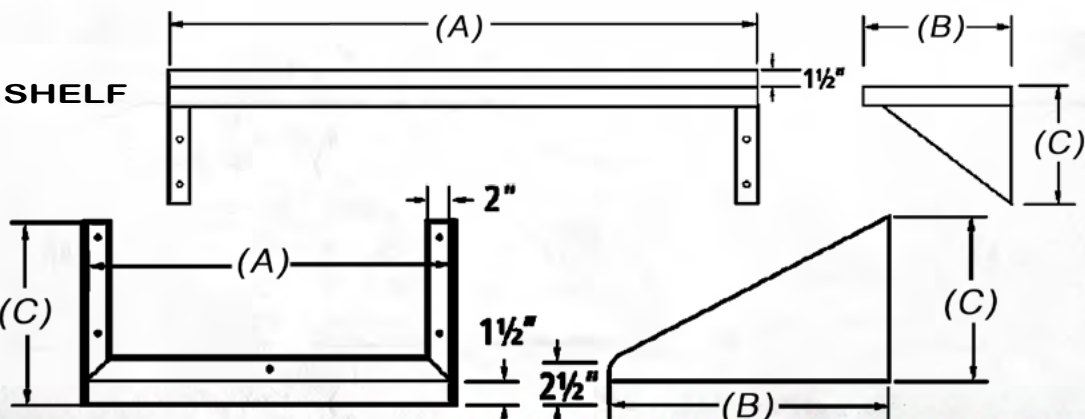
Microwave Shelves

Code	Width (A)		Depth (B)		Height (C)		Weight		Top	
	in.	mm	in.	mm	in.	mm	Lbs	KG	Lbs	KG
WMMS-18-24	24.0	610	18.0	457	11.5	292	8	4	84	38
WMMS-24-24	24.0	610	24.0	610	11.5	292	11	5	84	38

Width		Depth		Height		Weight			
in.	mm	in.	mm	in.	mm	Lbs	KG		
25.5	635	19.5	495	11.0	279	12	5		
25.5	635	25.5	648	11.0	279	15	7		

LINE DRAWINGS

WALL MOUNT SHELF



WALL MOUNT MICROWAVE SHELF

SPECIFICATION SUBJECT TO CHANGE WITHOUT NOTICE



EFI Sales Ltd.
Toronto Office & DC
515 Hanlon Creek Blvd.
Guelph, ON, N1C 0A1

EFI Sales Ltd.
Vancouver Office & DC
26895 Gloucester Way
Langley, BC, V4W 3Y3

(888) 565-9920 Toll Free
(519) 822-1895 Toronto
(604) 607-8850 Vancouver

