



Commercial Microwave Oven

INSTRUCTION MANUAL

MODEL:MW-341000120-D

Read these instructions carefully before using your microwave oven, and keep them for further use.

If you follow the instructions, your oven will provide you with many years of good service.

PLEASE SAVE THESE INSTRUCTIONS

PRECAUTIONS TO AVOID POSSIBLE EXPOSURE TO EXCESSIVE MICROWAVE ENERGY

- (a) Do not attempt to operate this oven with the door open since open door operation can result in harmful exposure to microwave energy.
It is important not to deactivate or tamper with the safety interlocks.
- (b) Do not place any object between the oven's front side inner surface and the door or allows soil or cleaner residue to accumulate on sealing surfaces.
- (c) Do not operate the oven if it is damaged. Please ensure that the oven door closes properly and that there is no damage to the following components:
 - (1) DOOR (bent)
 - (2) HINGES AND LATCHES (broken or loosened)
 - (3) DOOR SEALS AND SEALING SURFACES
- (d) The oven should not be adjusted or repaired by anyone except properly qualified service personnel.

Specifications

Model:	MW-341000120-D
Rated Voltage:	120V~ 60Hz
Rated Input Power (Microwave):	1500W
Rated Output Power (Microwave):	1000W
Oven Capacity:	1.2 Cu.ft. (34L)
External Dimensions :	21.8X19.2X13.5 inch (553X488X343mm)
Net Weight:	Approx. 40.6 Lbs (18.4kg)

IMPORTANT SAFETY INSTRUCTIONS

Basic safety precautions should be followed when using electrical appliances, including

the following:

WARNING - To reduce the risk of burns, electric shock, fire, injury or exposure to excessive microwave energy:

1. Read all instructions before using the appliance.
2. Read and follow the specific: "**PRECAUTIONS TO AVOID POSSIBLE EXPOSURE TO EXCESSIVE MICROWAVE ENERGY**" found on page 2.
3. This appliance must be grounded. Connect only to properly grounded outlet. See "**GROUNDING INSTRUCTIONS**" found on page 4.
4. Install or locate this appliance only in accordance with the provided installation instructions.
5. Some products such as whole eggs and sealed containers - for example, closed glass jars - could explode and should not be heated in this oven.
6. Use this appliance only for its intended use and as described in the manual. Do not use corrosive chemicals or vapors in this appliance. This type of oven is specifically designed to heat, cook or dry food. It is not designed for industrial or laboratory use.
7. As with any appliance, close supervision is necessary when used by children.
8. Do not operate this appliance if it has a damaged cord or plug, if it is not working properly, or if it has been damaged or dropped.
9. This appliance should be serviced only by qualified service personnel. Contact nearest authorized service facility for examination, repair, or adjustment.
10. Do not cover or block any openings on the appliance.
11. Do not store this appliance outdoors. Do not use this product near water - for example, near a kitchen sink, in a wet basement, near a swimming pool, or similar location.
12. Do not immerse cord or plug in water.
13. Keep cord away from heated surface.
14. Do not let the cord hang over the edge of the table or over the counter.
15. Use only mild, nonabrasive soaps, or detergent applied with a sponge or soft cloth when cleaning the door and oven surfaces that come together when closing the door.
16. To reduce the risk of fire in the oven cavity:
 - 1). Do not overcook food. Pay close attention to the appliance when paper, plastic, or other combustible materials are placed inside the oven to facilitate cooking.
 - 2). Remove wire twist-ties from paper or plastic bag before placing bag in oven.
 - 3). If the material inside the oven ignites, keep oven door closed, turn oven off, and disconnect the power cord, or shut off power at the fuse or circuit breaker panel.
 - 4). Do not use the cavity for storage purposes. Do not leave paper products, cooking utensils, or food in the cavity when not in use.
17. Liquids, such as water, coffee, or tea can overheat beyond the boiling point without appearing to be boiling. Visible bubbling or boiling when the container is removed from the microwave oven is not always present.

THIS COULD RESULT IN VERY HOT LIQUID SUDDENLY BOILING OVER WHEN THE CONTAINER IS DISTURBED OR A UTENSIL IS INSERTED INTO THE LIQUID.

To reduce the risk of personal injury:

- 1) Do not overheat the liquid.
- 2) Stir the liquid both before and halfway through heating it.
- 3) Do not use straight-sided containers with narrow necks.
- 4) After heating, allow the container to stand in the microwave oven for a short period before removing the container.
- 5) Use extreme care when inserting a spoon or other utensil into the container.

PLEASE SAVE THESE INSTRUCTIONS

GROUNDING INSTRUCTIONS

This appliance must be grounded. In the event of an electrical short circuit, grounding reduces the risk of electric shock by providing an escape wire for the electric current. This appliance is equipped with a cord having a grounding wire with a grounding plug. The plug must be plugged into an outlet that is properly installed and grounded.

WARNING - Improper use of the grounding wire or plug can result in a risk of electric shock.

Consult a qualified electrician or serviceman if the grounding instructions are not completely understood, or if doubt exists as to whether the appliance is properly grounded. If it is necessary to use an extension cord, use only a 3-wire extension cord that has a 3-blade grounded plug, and 3-slot receptacle that will accept the plug on the appliance. The marked rating of the extension cord should be equal to or greater than the electrical rating of the appliance.

DANGER - Electric Shock Hazard

Touching some of the internal components can cause serious injury or death. Do not disassemble this appliance.

WARNING - Electric Shock Hazard

Improper use of the grounding wire or plug can result in electric shock. Do not plug into an outlet until appliance is properly installed and grounded.

1. A short power-supply cord is provided to reduce the risks resulting from becoming entangled in or tripping over a longer cord.
2. Longer cord sets or extension cords are available and may be used if care is exercised.
3. If a long cord or extension cord is used:
 - 1) The marked electrical rating of the cord set or extension cord should be greater than the electrical rating of the appliance.
 - 2) The extension cord must be a grounding-type 3-wire cord.
 - 3) The longer cord should be arranged so that it will not drape over the counter top or tabletop where it can be pulled on by children or tripped over unintentionally.

RADIO INTERFERENCE

1. Operation of the microwave oven may cause interference to your radio, TV or similar equipment.
2. If such is the case interference may be reduced or eliminated by taking the following measures:
 - 1) Clean door and sealing surface of the oven
 - 2) Reorient the receiving antenna of the radio or television.
 - 3) Relocate the microwave oven with respect to the receiver.
 - 4) Move the microwave oven away from the receiver.
 - 5) Plug the microwave oven into a different outlet so that the microwave oven and receiver are on different branch circuits.

This device complies with part 18 of the FCC Rules.

UTENSILS

CAUTION - Personal Injury Hazard

Tightly-closed utensils could explode. Closed containers should be opened and plastic pouches should be pierced before cooking.

See the instructions on "Materials you can use in microwave oven or to be avoided in microwave oven."

There may be certain non-metallic utensils that are not safe to use for microwaving. If in doubt, you can test the utensil by following the procedure below.

Utensil Test:

1. Fill a microwave-safe container with 1 cup of cold water (250ml), then add the utensil in question.
2. Cook on maximum power for 1 minute.
3. Carefully touch the utensil. If the empty utensil is warm, do not use it for microwave cooking.
4. Cooking time should not exceed 1 minute.

Materials you can use in microwave oven

Utensils	Remarks
Browning dish	Follow the manufacturer's instructions*. The bottom of browning dish must be at least 3/16 inch (5mm) above the turntable. Incorrect usage may cause the turntable to break
Dinnerware	Use only microwave-safe items. Follow the manufacturer's instructions*. Do not use cracked or chipped dishes.
Glass jars	Always remove lid. Use only to heat food until just warm. Most glass jars are not heat resistant and may break.
Glassware	Use heat-resistant oven glassware only. Make sure there is no metallic trim. Do not use cracked or chipped dishes.
Oven cooking bags	Follow the manufacturer's instructions*. Do not close with metal tie. Make slits to allow steam to escape.
Paper plates and cups	Use for short-term cooking/warming only. Do not leave oven unattended while cooking.
Paper towels	Use to cover food for reheating and absorbing fat. Use with supervision for a short-term cooking only.
Parchment paper	Use as a cover to prevent splattering or a wrap for steaming.
Plastic	Use only microwave-safe items. Follow the manufacturer's instructions*. Items should be labeled "Microwave Safe". Some plastic containers soften, as the food inside gets hot. "Boiling bags" and tightly closed plastic bags should be slit, pierced or vented as directed on packaging.
Plastic wrap	Use only microwave-safe items. Use to cover food during cooking to retain moisture. Do not allow plastic wrap to touch food.
Thermometers	Use only microwave-safe items (meat and candy thermometers).
Wax paper	Use as a cover to prevent splattering and retain moisture.

Materials you can use in microwave oven

Utensils	Remarks
Aluminum tray	May cause arcing. Transfer food into microwave-safe dish.
Food carton with metal handle	May cause arcing. Transfer food into microwave-safe dish.
Metal or metal-trimmed utensils	Metal shields the food from microwave energy. Metal trim may cause arcing.
Metal twist ties	May cause arcing and could cause a fire in the oven.
Paper bags	May cause a fire in the oven.
Plastic foam	Plastic foam may melt or contaminate the liquid inside when exposed to high temperatures.
Wood	Wood will dry out when used in the microwave oven and may split or crack.

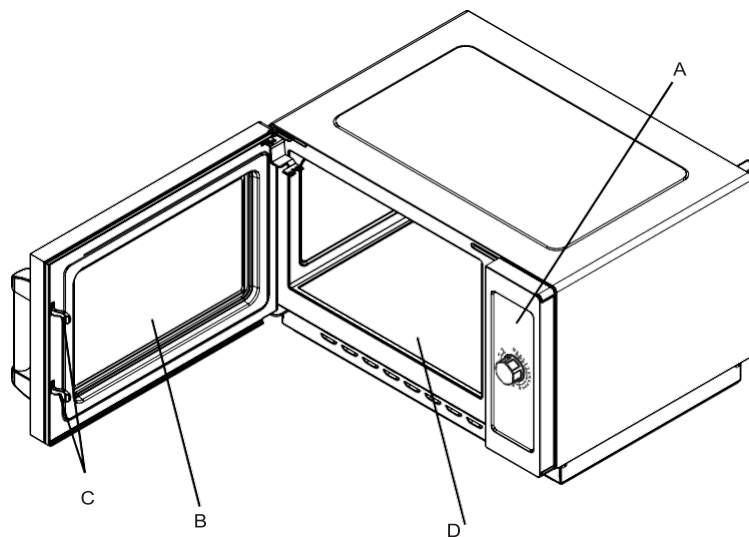
SETTING UP YOUR OVEN

Names of Oven Parts and Accessories

Remove the oven and all materials from the carton and oven cavity. Your oven comes with the following accessories:

Instruction Manual

1



- A) Control panel
- B) Observation window
- C) Safety interlock system
- D) Ceramic board

- Note: 1) Don't press down on the ceramic board with force.
2) Gently manipulate the utensils during the operation to avoid damaging the ceramic board.
3) After using the microwave, do not touch the ceramic board with your bare hands to avoid scalding due to high temperatures.

Countertop Installation

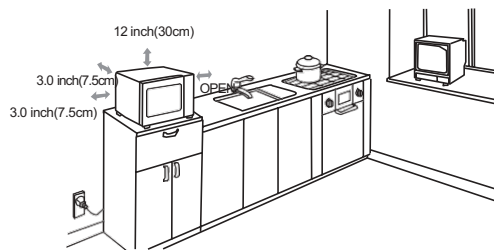
Remove all packing material and accessories. Examine the oven for any damage such as dents or broken door. Do not install if oven is damaged.

Cabinet: Remove any protective film found on the microwave oven cabinet surface.

Do not remove the light brown Mica cover that is attached to the oven cavity to protect the magnetron.

Installation

1. Select a level surface that provides enough open space for the intake and/or outlet vents.



A minimum clearance of 3.0 inches (7.5cm) is required between the oven and any adjacent walls. One side must be open.

- (1) Leave a minimum clearance of 12 inches (30cm) above the oven.
- (2) Do not remove the legs from the oven.

- (3) Blocking the intake and/or outlet openings can damage the oven.
- (4) Place the oven as far away from radios and TV as possible. Operation of microwave oven may

cause interference to your radio or TV reception.

2. Plug your oven into a standard household outlet. Be sure the voltage and the frequency are the same as the voltage and the frequency written on the rating label.

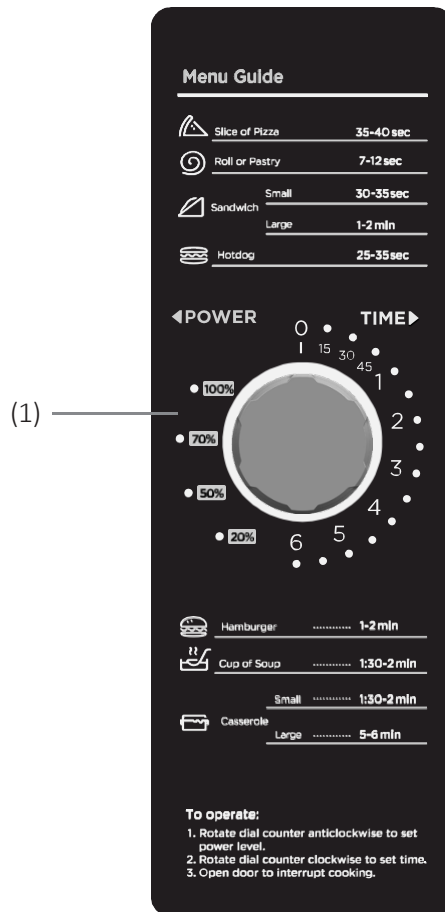
WARNING: Do not install oven over a range cooktop or other heat-producing appliance. Installing the oven near or over a heat source could damage the oven and void the warranty.

The accessible surface may be hot during operation.



OPERATION



Control Panel and Features



(1) Use the knob to select the cooking time.

OPERATION INSTRUCTION

1. Microwave Cooking

- 1) In Waiting Mode, turn the " " left to choose the microwave power from 100% to 20%.
(100%, 70%, 50%, 20%)
- 2) Then turn the " " right to adjust the cooking time. The range of the time is from 15 seconds to 6 minutes.
- 3) The cooking begins.
- 4) The buzzer will sound five times when the cooking cycle is finished. Then turn back to waiting state.

Note:

- a. During the cooking process, if the door is opened, the screen will be blank and the buzzer will not sound. You will need to reset the time after closing the door to allow the oven to start cooking.
- b. During the cooking process, you can turn the knob to adjust the cooking time.
- c. If you turn the knob to "0", the oven stops working and the buzzer will sound five times entering the Waiting Mode.
- d. The time can be adjusted by 15-second increments.

2. Energy-Saving Mode

When the oven is electrified for the first time, the buzzer will sound once and the oven will enter into Energy-Saving Mode.

3. Waiting Mode

- 1) When cooking finish, the oven will enter the waiting state.
- 2) If the oven door is opened and closed during the cooking process, the oven will turn back to Waiting State.

4. Cooking End Reminding Function

Once the cooking cycle has finished, the buzzer will sound 5 times to remind you that the cooking cycle is completed.

5. Specification

When turning the knob for the first time, the buzzer will sound once.

If the time set is less than 5 seconds, the buzzer will not sound when turning the knob. If it is more than 5 seconds, the buzzer will sound once when turning the knob.

MAINTENANCE

Troubleshooting

Identify the problem by using the chart below and try the solutions mentioned. If the microwave oven still does not work properly, contact the nearest authorized service center.

TROUBLE	POSSIBLE CAUSE	POSSIBLE REMEDY
Oven will not start	<ul style="list-style-type: none"> a. Electrical cord for oven is not plugged in. b. Door is open. c. Wrong operation is set. 	<ul style="list-style-type: none"> a. Plug into the outlet. b. Close the door and try again. c. Check instructions.
Arcing or sparking	<ul style="list-style-type: none"> a. Materials to be avoided in microwave oven were used. b. The oven is operated when empty. c. Spilled food remains in the cavity. 	<ul style="list-style-type: none"> a. Use microwave-safe cookware only. b. Do not operate with oven empty. c. Clean cavity with wet towel.
Unevenly cooked foods	<ul style="list-style-type: none"> a. Materials to be avoided in microwave oven were used. b. Food is not defrosted completely. c. Cooking time, power level is not suitable. d. Food is not turned or stirred. 	<ul style="list-style-type: none"> a. Use microwave-safe cookware only. b. Completely defrost food. c. Use correct cooking time, power level. d. Turn or stir food.
Overcooked foods	Cooking time, power level is not suitable.	Use correct cooking time, power level.
Undercooked foods	<ul style="list-style-type: none"> a. Materials to be avoided in microwave oven were used. b. Food is not defrosted completely. c. Oven ventilation ports are restricted. d. Cooking time, power level is not suitable. 	<ul style="list-style-type: none"> a. Use microwave-safe cookware only. b. Completely defrost food. c. Check to see that oven ventilation ports are not restricted. d. Use correct cooking time, power level.
Improper defrosting	<ul style="list-style-type: none"> a. Materials to be avoided in microwave oven were used. b. Cooking time, power level is not suitable. c. Food is not turned or stirred. 	<ul style="list-style-type: none"> a. Use microwave-safe cookware only. b. Use correct cooking time, power level. c. Turn or stir food.



VANCOUVER
26895 Gloucester Way,
Langley, BC
V4W 3Y3
T: (604) 607-8850
F: (604) 607-8820

GUELPH
515 Hanlon Creek Blvd.,
Guelph, ON
N1C 0A1
T: (519) 822-1895