



HSM24 SERIES SALAMANDER 24-INCHES

HSM24-N | HSM24-P 24" SALAMANDER

AVAILABLE IN NATURAL GAS OR PROPANE



- Stainless Steel front and Sides
- 2 burners at 24", 3 burners at 36" model
- Zonal heating is possible, 13,000 BTU per Infrared burner
- Standing pilot ignition system
- Full-width broiler pan
- 4-position adjustable spring-balanced rack
- Ball grip handle on adjustable rack for ease and comfort
- 4" adjustable height, non-skid SS Legs included for countertop operation
- NG or LP gas conversion kit included
- A gas pressure regulator is supplied with the unit
- Ready to mount over any 36" to 60" ranges **ONLY** available for purchase: **PVHA010116**
- Direct wall mounting available for purchase: **PVHA010115**
- Gas hose kit available for purchase: **SIF-HG-4D-48SEL**

WARRANTY:
LIMITED ONE YEAR PARTS
AND LABOUR
SPECIFICATIONS SUBJECT TO
CHANGE WITHOUT
NOTICE.

FIND
ADDITIONAL
BENEFITS
HERE



ADDITIONAL IMAGES



PRODUCT
DRAWINGS



SIMPLE
CONTROLS



ADJUSTABLE
RACK HANDLE



LEVELING FEET



MOUNTING
OPTIONS

MODEL DESIGNATIONS



ADDITIONAL RESOURCES



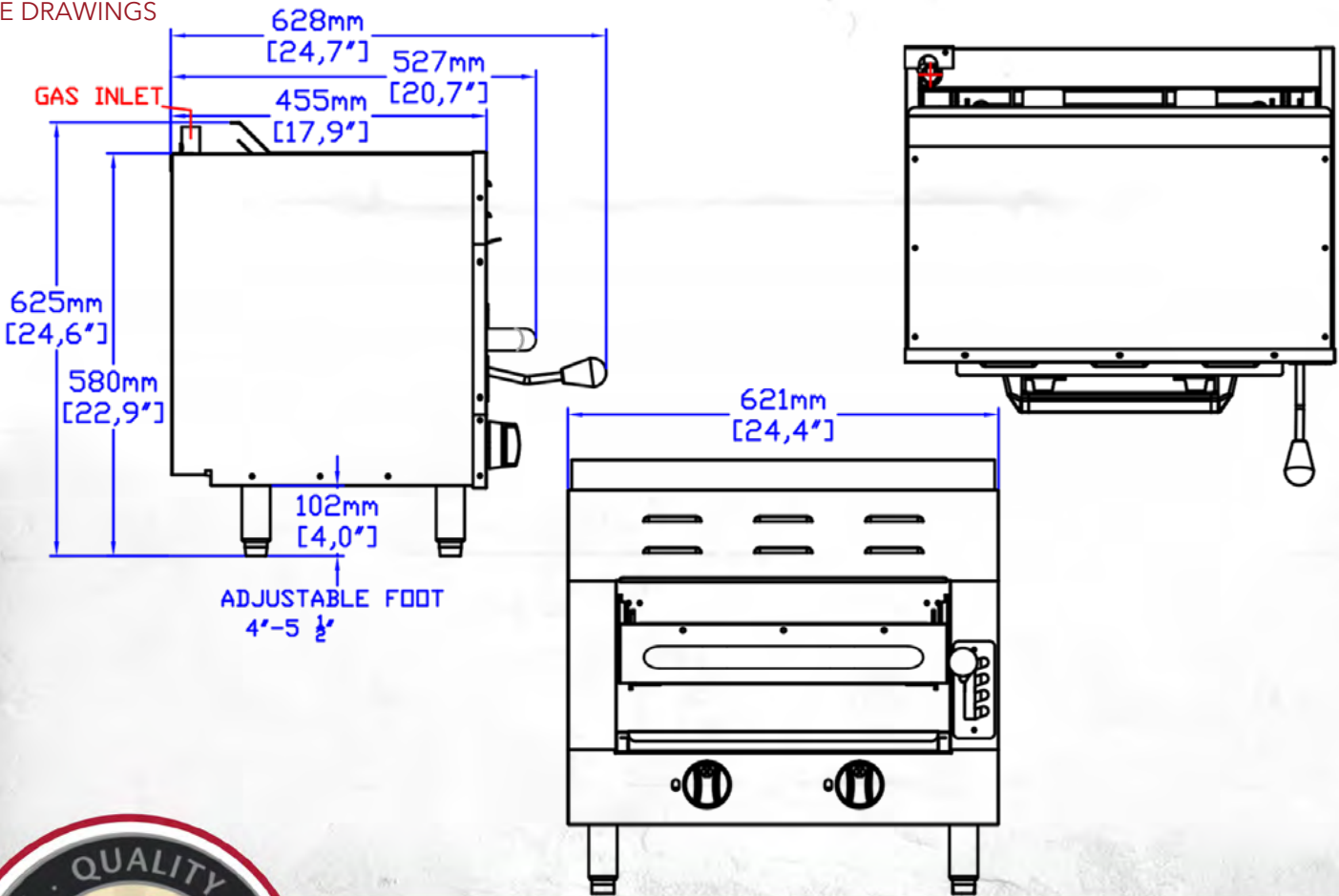
DIMENSIONS

Code	Dimensions	Width		Depth		Height		Weight	
		Inches	mm	Inches	mm	Inches	mm	Lbs	KG
HSM24-N	Exterior	24.4	621.0	24.7	628.0	24.6	625.0	101.2	46.0
HSM24-P	Shipping	28.0	722.0	27.0	700.0	30.6	780.0	145.0	66.0

TECHNICAL

Code	Gas Type	# of Burners	BTU per Burner	Total BTU Output	Operating Gas Pressure	Conversion Kit INCL.
HSM24-N	NG	2	13000	26000	5.0"W.C	Yes
HSM24-P	LP	2	13000	26000	10"W.C	Yes

LINE DRAWINGS



EFI Sales Ltd.
 Toronto Office & DC
 515 Hanlon Creek Blvd.
 Guelph, ON, N1C 0A1

EFI Sales Ltd.
 Vancouver Office & DC
 26895 Gloucester Way
 Langley, BC, V4W 3Y3

(888) 565-9920 Toll Free
 (519) 822-1895 Toronto
 (604) 607-8850 Vancouver